



SuperServer®
AS -8126GS-NB3RT

USER'S MANUAL

Revision 1.0 MNL-2865

The information in this User's Manual has been carefully reviewed and is believed to be accurate. The vendor assumes no responsibility for any inaccuracies that may be contained in this document, and makes no commitment to update or to keep current the information in this manual, or to notify any person or organization of the updates. Note: For the most up-to-date version of this manual, see our website at <https://www.supermicro.com>.

Super Micro Computer, Inc. ("Supermicro") reserves the right to make changes to the product described in this manual at any time and without notice. This product, including software and documentation, is the property of Supermicro and/or its licensors, and is supplied only under a license. Any use or reproduction of this product is not allowed, except as expressly permitted by the terms of said license.

IN NO EVENT WILL Super Micro Computer, Inc. BE LIABLE FOR DIRECT, INDIRECT, SPECIAL, INCIDENTAL, SPECULATIVE OR CONSEQUENTIAL DAMAGES ARISING FROM THE USE OR INABILITY TO USE THIS PRODUCT OR DOCUMENTATION, EVEN IF ADVISED OF THE POSSIBILITY OF SUCH DAMAGES. IN PARTICULAR, SUPER MICRO COMPUTER, INC. SHALL NOT HAVE LIABILITY FOR ANY HARDWARE, SOFTWARE, OR DATA STORED OR USED WITH THE PRODUCT, INCLUDING THE COSTS OF REPAIRING, REPLACING, INTEGRATING, INSTALLING OR RECOVERING SUCH HARDWARE, SOFTWARE, OR DATA.

Any disputes arising between manufacturer and customer shall be governed by the laws of Santa Clara County in the State of California, USA. The State of California, County of Santa Clara shall be the exclusive venue for the resolution of any such disputes. Supermicro's total liability for all claims will not exceed the price paid for the hardware product.

FCC Statement: This equipment has been tested and found to comply with the limits for a Class A or Class B digital device pursuant to Part 15 of the FCC Rules. These limits are designed to provide reasonable protection against harmful interference when the equipment is operated in industrial environment for Class A device or in residential environment for Class B device. This equipment generates, uses, and can radiate radio frequency energy and, if not installed and used in accordance with the manufacturer's instruction manual, may cause harmful interference with radio communications. Operation of this equipment in a residential area is likely to cause harmful interference, in which case you will be required to correct the interference at your own expense.

California Best Management Practices Regulations for Perchlorate Materials: This Perchlorate warning applies only to products containing CR (Manganese Dioxide) Lithium coin cells. "Perchlorate Material-special handling may apply. See <https://www.dtsc.ca.gov/hazardouswaste/perchlorate>".



WARNING: This product can expose you to chemicals including lead, known to the State of California to cause cancer and birth defects or other reproductive harm. For more information, go to <https://www.P65Warnings.ca.gov>.



AVERTISSEMENT : Ce produit peut vous exposer à des agents chimiques, y compris le plomb, identifié par l'État de Californie comme pouvant causer le cancer, des malformations congénitales ou d'autres troubles de la reproduction. Pour de plus amples informations, prière de consulter <https://www.P65Warnings.ca.gov>.

The products sold by Supermicro are not intended for and will not be used in life support systems, medical equipment, nuclear facilities or systems, aircraft, aircraft devices, aircraft/emergency communication devices or other critical systems whose failure to perform be reasonably expected to result in significant injury or loss of life or catastrophic property damage. Accordingly, Supermicro disclaims any and all liability, and should buyer use or sell such products for use in such ultra-hazardous applications, it does so entirely at its own risk. Furthermore, buyer agrees to fully indemnify, defend and hold Supermicro harmless for and against any and all claims, demands, actions, litigation, and proceedings of any kind arising out of or related to such ultra-hazardous use or sale.

Manual Revision 1.0

Release Date: September 26, 2025

Unless you request and receive written permission from Super Micro Computer, Inc., you may not copy any part of this document. Information in this document is subject to change without notice. Other products and companies referred to herein are trademarks or registered trademarks of their respective companies or mark holders.

Copyright © 2025 by Super Micro Computer, Inc.
All rights reserved.

Published in the United States of America

Preface

About This Manual

This manual is written for professional system integrators and PC technicians. It provides information for the installation and use of the AS -8126GS-NB3RT server. Installation and maintenance should be performed by certified service technicians only.

Notes

For your system to work properly, follow the links below to download all necessary drivers/utilities and the user's manual for your server.

- Supermicro product manuals: <https://www.supermicro.com/support/manuals>
- Product drivers and utilities: <https://www.supermicro.com/wdl>
- Product safety info: https://www.supermicro.com/about/policies/safety_information.cfm
- A secure data deletion tool designed to fully erase all data from storage devices can be found on our website:
https://www.supermicro.com/about/policies/disclaimer.cfm?url=/wdl/utility/Lot9_Secure_Data_Deletion_Utility
- Frequently Asked Questions: <https://www.supermicro.com/FAQ/index.php>
- If you still have questions after referring to our FAQs, contact our support team. Region-specific Technical Support email addresses can be found at: "[Contacting Supermicro](#)" on page 11
- If you have any feedback on Supermicro product manuals, contact our writing team at: Techwriterteam@supermicro.com

This manual may be periodically updated without notice. Check the Supermicro website for possible updates to the manual revision level.

Conventions Used in the Manual

Special attention should be given to the following symbols for proper installation and to prevent damage done to the components or injury to yourself.



Warning! Indicates important information given to prevent equipment/property damage or personal injury.



Warning! Indicates high voltage may be encountered while performing a procedure.

Important: Important information given to ensure proper server installation or to relay safety precautions.

Note: Additional information given to differentiate various models or to provide information for proper server setup.

Contents

Contacting Supermicro	11
Chapter 1: Introduction	12
1.1 Overview	13
1.2 System Features	14
Front View	14
NVMe SSD LED Indicators	15
Control Panel	17
Rear View	19
1.3 System Architecture	20
Main Components	20
System Block Diagram	22
1.4 Motherboard Quick Reference	23
Motherboard Layout	23
Quick Reference Table	25
Chapter 2: Server Installation	27
2.1 Unpacking the System	28
2.2 Preparing for Setup	29
Choosing a Setup Location	29
Rack Precautions	29
System Precautions	29
Rack Mounting Considerations	30
Ambient Operating Temperature	31
Airflow	31
Mechanical Loading	31
Circuit Overloading	31
Reliable Ground	31
2.3 Installing the Rails	32
Identifying the Rails	32
Installing the Rails onto the Rack	33
2.4 Installing the Chassis into the Rack	35
Removing the Chassis from the Rack	35

Chapter 3: Maintenance and Component Installation	37
3.1 Removing Power	39
3.2 Accessing the System	40
Removing the GPU Drawer	40
Reinstalling the GPU Drawer	41
Removing the CPU Drawer	41
3.3 Static-Sensitive Devices	42
Precautions	42
3.4 Processor and Heatsink Installation	43
Preparing the Processor Socket	43
Installing the Processor into the Frame	45
Uninstalling the Heatsink and Processor	49
3.5 Memory Support and Installation	50
Memory Support	50
General Guidelines for Optimizing Memory Performance	51
DIMM Population	51
DIMM Installation	52
DIMM Removal	55
3.6 Motherboard Battery Removal and Installation	56
Battery Removal	56
Proper Battery Disposal	56
Battery Installation	56
3.7 Storage Drives	57
E1.S NVMe Drives	57
Removing Drives from the Chassis	57
M.2 NVMe Drives	57
Removing M.2 Drives from the Chassis	58
Hot-Swap for NVMe Drives	58
Ejecting a Drive	58
Replacing a Drive	59
3.8 System Cooling	60
Fans	60
Changing an Internal Fan	60
Changing a Rear Fan	61

Air Shrouds	62
Installing a CPU Air Shroud	62
3.9 Expansion Cards	64
PCIe Cards	64
3.10 Cable Routing Diagrams	65
Cable Routing	65
3.11 Power Supply	67
Replacing a Power Supply	67
Chapter 4: Motherboard Connections, Jumpers, and LEDs	69
4.1 Power Supply and Power Connections	70
Power Supply Connections	70
Power Supply Connectors	70
Backplane and BlueField-3 Card 12 V 8-Pin Power Connectors	70
E1.S Backplane, M.2 Module, BlueField-3 Risers, and Power Slot Connectors with 12 V 4-Pin Power Inputs	70
4.2 Headers and Connections	72
Fan Headers (FAN0 to FAN3)	72
TPM/Port 80 Header	72
Liquid Cooling Leak Detection Connector	73
MCIO M.2 NVMe Connector	73
Midplane NIC Card Carrier Board Connectors	73
4.3 Front/Rear I/O Module Connectors	74
I/O Module Connector	74
4.4 Jumper Settings	75
CMOS Clear	75
JPG1	76
JUID1	76
4.5 LED Indicators	77
Onboard Power LED (LED1)	77
RoT Status LED (LED2)	77
BMC Heartbeat LED (LED3)	77
Chapter 5: Software	79
5.1 Microsoft Windows OS Installation	80
Installing the OS	80

5.2 Driver Installation	82
5.3 BMC	84
BMC ADMIN User Password	84
Chapter 6: Optional Components	85
6.1 TPM Security Module	86
6.2 HBA Card	87
6.3 RAID Cards	88
6.4 Cable Management Arm	89
Installing the Cable Management Arm	89
Removing the Cable Management Arm	90
Chapter 7: Troubleshooting and Support	91
7.1 Online Resources	92
Direct Links for the SuperServer AS -8126GS-NB3RT System	92
Direct Links for General Support and Information	92
7.2 Baseboard Management Controller (BMC)	93
7.3 Troubleshooting Procedures	94
Before Power On	94
No Power	94
No Video	94
System Boot Failure	94
Memory Errors	95
Losing the System's Setup Configuration	95
If the System Becomes Unstable	95
7.4 CMOS Clear	97
7.5 Motherboard Battery	98
7.6 Where to Get Replacement Components	99
7.7 Technical Support Procedures	100
Returning Merchandise for Service	100
7.8 Feedback	102
Chapter 8: UEFI BIOS	103
8.1 Introduction	104
Updating BIOS	104
Starting the Setup Utility	104
8.2 Main Setup	106

8.3 Advanced Setup Configurations	108
Boot Feature Menu	108
CPU Configuration Menu	110
NB Configuration	112
ACPI Settings Menu	116
Super IO Configuration Menu	116
Serial Port 1 Configuration Menu	117
Serial Port 2 Configuration Menu	117
Serial Port Console Redirection Menu	118
PCIe/PCI/PnP Configuration Menu	120
USB Configuration	122
Network Configuration Menu	122
SATA Configuration Menu	124
HTTP Boot Configuration Menu	124
Supermicro KMS Server Configuration Menu	125
Super-Guardians Configuration Menu	127
System Diagnostics Configuration	129
TLS Authenticate Configuration Menu	129
RAM Disk Configuration	130
Driver Health Menu	131
8.4 BMC	132
System Event Log Menu	132
BMC Network Configuration Menu	133
8.5 Event Logs	136
8.6 Security	138
8.7 Boot	141
8.8 Save & Exit	143
Appendix A: BIOS Codes	145
BIOS Error POST (Beep) Codes	145
Additional BIOS POST Codes	145
Appendix B: Standardized Warning Statements for AC Systems	146
Warning Definition	146
Installation Instructions	148
Circuit Breaker	150

Power Disconnection Warning	151
Equipment Installation	153
Rack Stability Hazard	154
Restricted Area	156
Battery Handling	158
Redundant Power Supplies	159
Backplane Voltage	161
Comply with Local and National Electrical Codes	162
Product Disposal	163
Fan Warning	165
Power Cable and AC Adapter	167
Appendix C: System Specifications	170
Appendix D: General Data Center Environmental Specifications	173

Contacting Supermicro

Headquarters

Address: Super Micro Computer, Inc.
980 Rock Ave.
San Jose, CA 95131 U.S.A.

Tel: +1 (408) 503-8000

Fax: +1 (408) 503-8008

Email: Marketing@supermicro.com (General Information)
Sales-USA@supermicro.com (Sales Inquiries)
Government_Sales-USA@supermicro.com (Gov. Sales Inquiries)
Support@supermicro.com (Technical Support)
RMA@Supermicro.com (RMA Support)
Webmaster@supermicro.com (Webmaster)

Website: <https://www.supermicro.com>

Europe

Address: Super Micro Computer B.V.
Het Sterrenbeeld 28, 5215 ML
's-Hertogenbosch, The Netherlands

Tel: +31 (0) 73-6400390

Fax: +31 (0) 73-6416525

Email: Sales_Europe@supermicro.com (Sales Inquiries)
Support_Europe@supermicro.com (Technical Support)
RMA_Europe@supermicro.com (RMA Support)

Website: <https://www.supermicro.nl>

Asia-Pacific

Address: Super Micro Computer, Inc.
3F, No. 150, Jian 1st Rd.
Zhonghe Dist., New Taipei City 235 Taiwan (R.O.C)

Tel: +886 (2) 8226-3990

Fax: +886 (2) 8226-3992

Email: Sales-Asia@supermicro.com.tw (Sales Inquiries)
Support@supermicro.com.tw (Technical Support)
RMA@supermicro.com.tw (RMA Support)

Website: <https://www.supermicro.com.tw>

Chapter 1:

Introduction

This chapter provides a brief outline of the functions and features of the AS -8126GS-NB3RT system. It is based on the H14DSG-OM motherboard and the CSE-GP807TS-R000NP chassis.

1.1 Overview	13
1.2 System Features	14
Front View	14
Rear View	19
1.3 System Architecture	20
Main Components	20
System Block Diagram	22
1.4 Motherboard Quick Reference	23
Motherboard Layout	23
Quick Reference Table	25

1.1 Overview

This chapter provides a brief outline of the functions and features of the SuperServer AS - 8126GS-NB3RT. The following provides an overview of the system specifications and capabilities.

System Overview	
Motherboard	H14DSG-OM
Chassis	CSE-GP807TS-R000NP
Processor Support	Dual AMD EPYC™ 9005/9004 Series Processors in SP5 sockets
Memory	<ul style="list-style-type: none"> Up to 6 TB registered ECC DDR5 at 6400 MT/s in 24 DIMM slots (AMD EPYC™ 9005 Series Processor) Up to 6 TB registered ECC DDR5 at 4800 MT/s in 24 DIMM slots (AMD EPYC™ 9004 Series Processor) <p>Note: Memory speed support depends on the processor used in the system.</p>
Drive Support	Eight front hot-swappable EDSFF E1.S NVMe drives Two hot-swappable M.2 NVMe slots (M-key, 22110)
Expansion Slots	Two PCIe 5.0 x16 FHHL slots for BF3 Eight PCIe 5.0 x4 for NVMe ESDFF, two NVMe M.2 slots with RAID support
I/O Ports	One RJ45 Dedicated IPMI LAN port Two 10 GbE RJ45 with Intel X710 One mini-DP + two USB 3.0 One VGA port Front control board
System Cooling	12 heavy-duty fans with optimal fan speed control Four motherboard internal fans
Power	Six 6600 W redundant modules, Titanium Level (96%)
Form Factor	8U Rackmount: 13.8" x 17.6" x 37.4", 356 x 449 x 950 mm (H x W x D)

Note: A Quick Reference Guide can be found on the product page of the Supermicro website. The following safety models associated with the AS -8126GS-NB3RT have been certified as compliant with UL or CSA: GP807-H66H14.

1.2 System Features

The following views of the system display the main features. Refer to the System Specifications appendix of this manual for additional specifications.

Front View

The following features are located on the front of the AS -8126GS-NB3RT server.

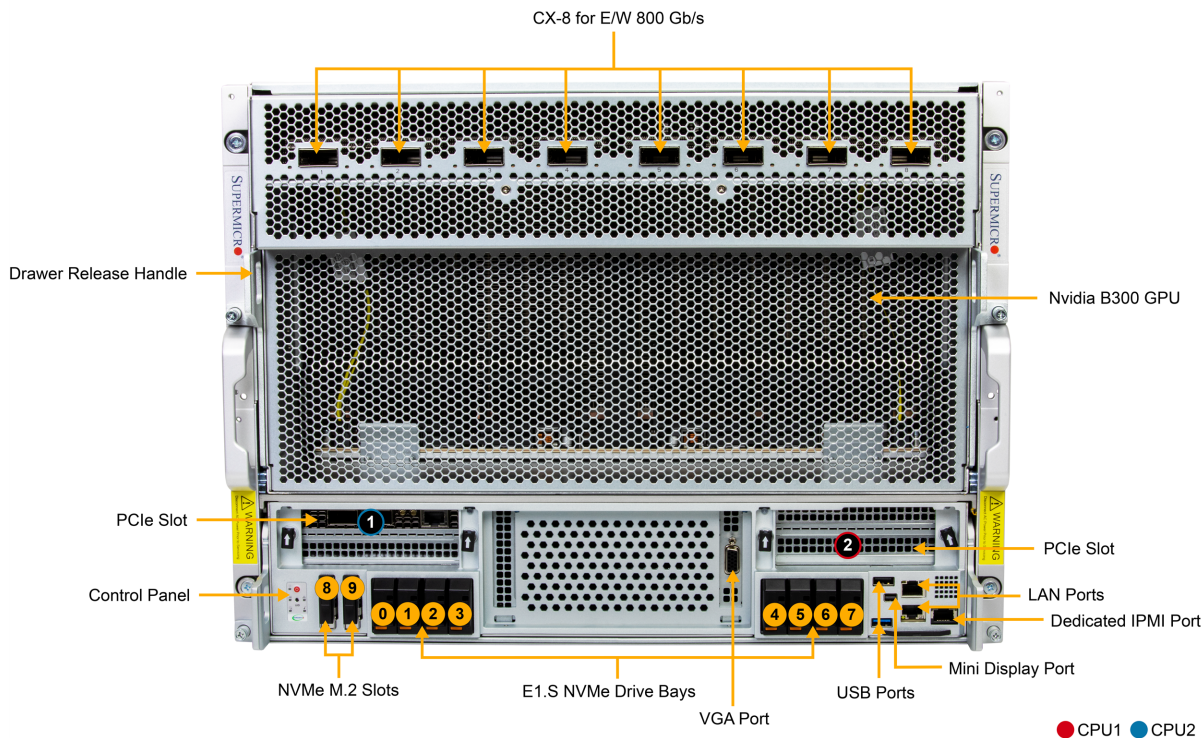


Figure 1-1. AS -8126GS-NB3RT Front View

System Features	
Feature	Description
CX-8 for E/W 800 Gb/s	Eight CX-8 for E/W 800 Gb/s
Nvidia B300 GPU	Eight Nvidia B300 GPUs
Drawer Release Handle	Handle to support drawer removal
Control Panel	One control panel (See "Control Panel" on page 17 for details)
PCIe Slots	Two PCIe 5.0 x16 FHHL from PLX switch (N-S)
LAN Ports	Dual 10 G RJ45 ports
Dedicated IPMI Port	One dedicated LAN port provides access to the BMC

System Features	
Feature	Description
USB Ports	Two USB (3.0 and 2.0) Type-A ports
Display Port	One mini-DP port
VGA	One VGA port

Logical Storage Drive Numbers	
Item	Description
0-7	Eight front hot-swap 2.5" E1.S NVMe drives
8-9	Two hot-swap M.2 NVMe drives

NVMe SSD LED Indicators

Each drive carrier has two LED indicators: an activity indicator and a status indicator. For RAID configurations using a controller, the meaning of the status indicator is described in the table below.

Each E1.S NVMe SSD module has two LED indicators: an activity indicator and a status indicator. For RAID configurations using a controller, the meaning of the status indicator is described in the table below. For OS RAID or non-RAID configurations, some LED indications are not supported, such as hot spare.

Rear I/O Ports			
LED	Color	Pattern	Device Behavior
Activity LED	Blue	Solid	Idle SAS/NVMe storage module installed
	Blue	Blinking	I/O activity
	Off	N/A	Idle SATA drive installed

Rear I/O Ports			
LED	Color	Pattern	Device Behavior
Status LED	Red	Solid	Failure of drive with RSTe support
	Red	Blinking at 1 Hz	Rebuild drive with RSTe support
	Red	Blinking with two blinks and one stop at 1 Hz	Hot spare for drive with RSTe support
	Red	On for five seconds, then off	Power on for drive with RSTe support
	Red	Blinking at 4 Hz	Identify drive with RSTe support
	Green	Solid	Safe to remove NVMe storage module
	Amber	Blinking at 1 Hz	Do not remove NVMe storage module

Control Panel

The buttons and LEDs located on the AS -8126GS-NB3RT control panel are described below.

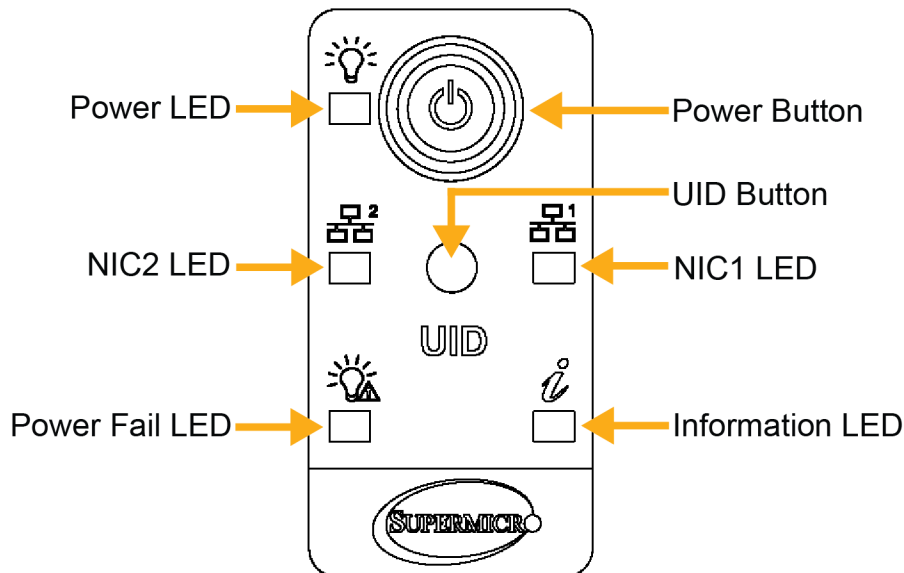


Figure 1-2. AS -8126GS-NB3RT Control Panel

Control Panel Features	
Features	Description
Power Button	Applies or removes primary power from the power supply to the server but maintains standby power
UID Button	Powers the blue light of the Information LED and a blue LED on the rear of the chassis; used to locate the server in large racks and server banks
Power LED	Indicates if the system is powered on
Storage Drive LED	Indicates activity on the installed storage devices
NIC1 and NIC2 LEDs	Indicate activity on the corresponding LAN1 or LAN2 connection on the installed AOC cards
Power Fail LED	Indicates a power failure in the power supply when flashing
Information LED	Alerts the operator to several states. See the Information LED table below for details.

Information LED	
Color, Status	Description
Red, solid	An overheat condition has occurred.

Information LED	
Color, Status	Description
Red, blinking at 1 Hz	Fan failure; check for an inoperative fan.
Red, blinking at 0.25 Hz	Power failure; check for an inoperative power supply.
Red, solid with Power LED blinking green	Fault detected.
Blue and red, blinking at 10 Hz	Recovery mode.
Blue, solid	UID has been activated locally to locate the server in a rack environment.
Blue, blinking at 1 Hz	UID has been activated via BMC to locate the server in a rack environment.
Blue, blinking at 2 Hz	BMC is resetting.
Blue, blinking at 4 Hz	BMC is setting factory defaults.
Blue, blinking at 10 Hz with Power LED blinking green	BMC/BIOS firmware is updating.

Rear View

The following features are located on the rear of the AS -8126GS-NB3RT server.

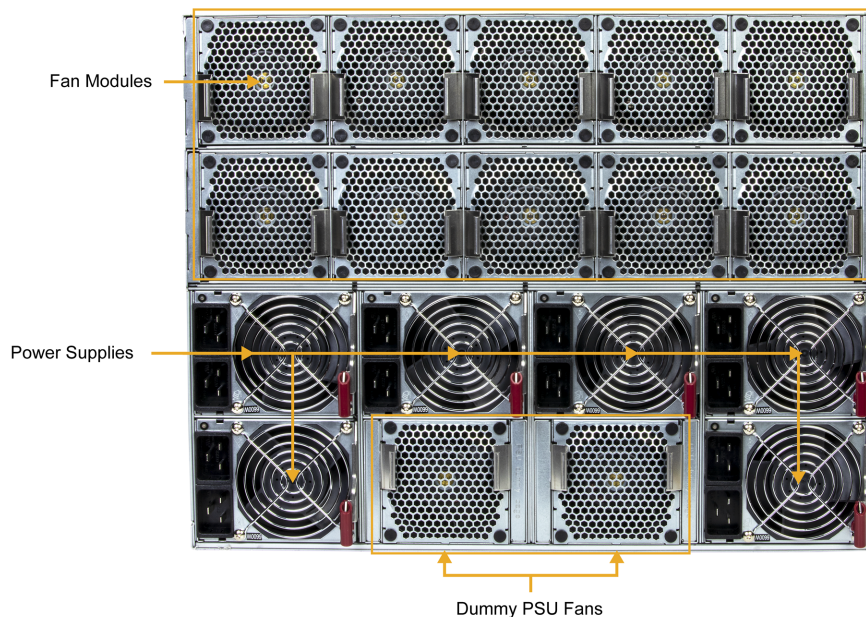


Figure 1-3. AS -8126GS-NB3RT Rear View

System Features: Rear	
Feature	Description
Power Supplies	Six 6600 W Redundant (3 + 3) Titanium Level (96%) power supplies
Fan Modules	10 heavy-duty fans with optimal fan speed control Two dummy PSU fans

1.3 System Architecture

This section covers the locations of the system's main components and provides a system block diagram.

Main Components

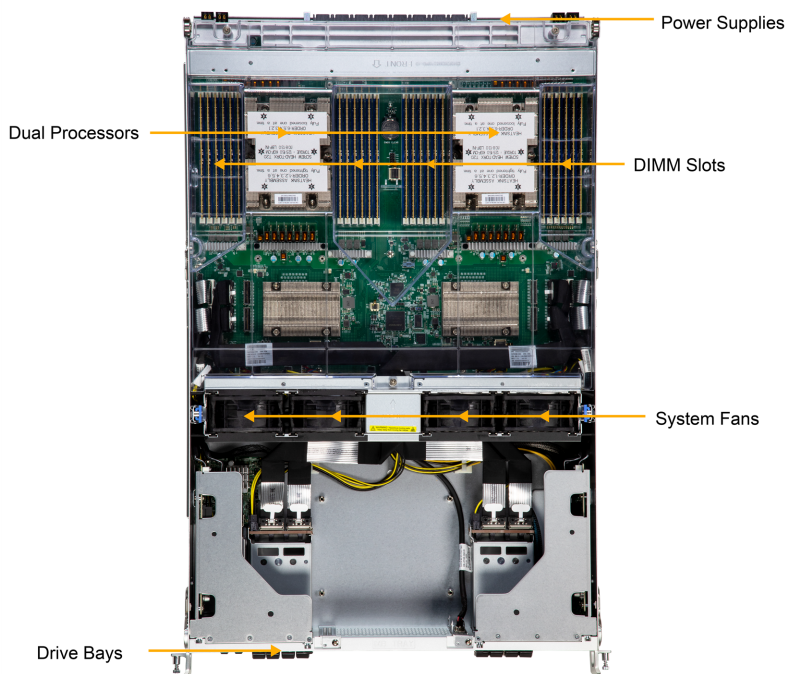


Figure 1-4. Top View

System Features: Top	
Feature	Description
PCIe Switches	Two PCIe Switches (covered)
Processors	Dual AMD EPYC™ 9005/9004 Series Processors in SP5 sockets
System Fans	Four internal fans
DIMM Slots	24 DIMM slots DDR5

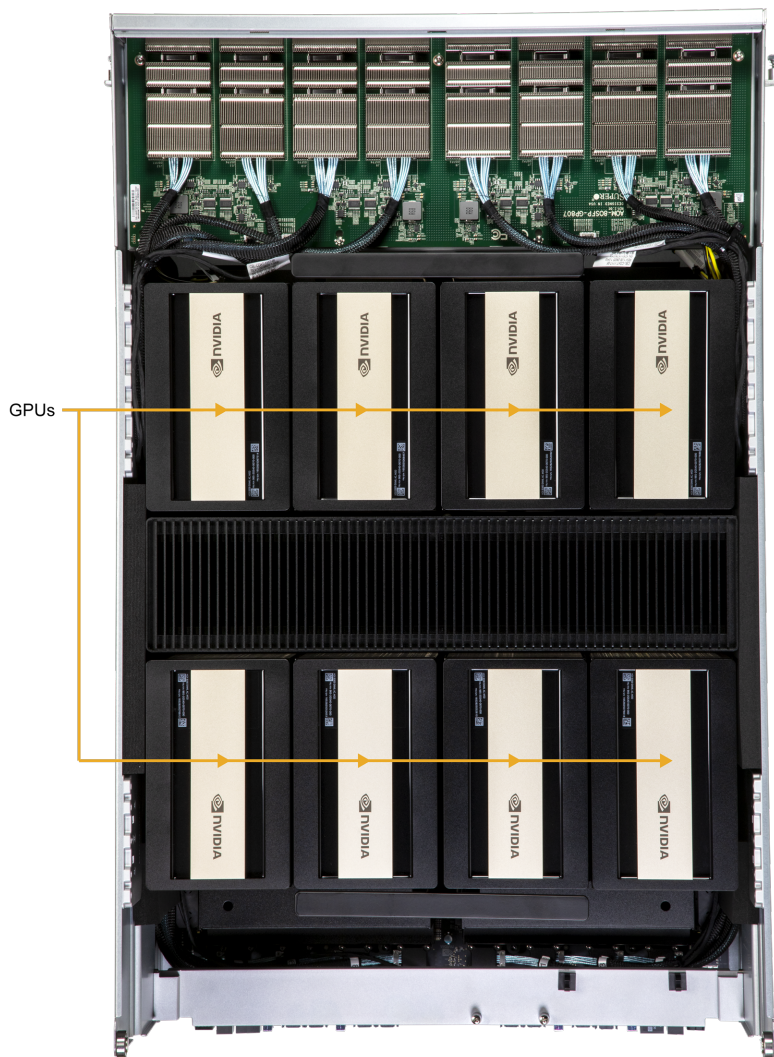


Figure 1-5. Top View (GPU)

System Features: Top	
Feature	Description
GPUs	Eight CX-8 for E/W 800 Gb/s

System Block Diagram

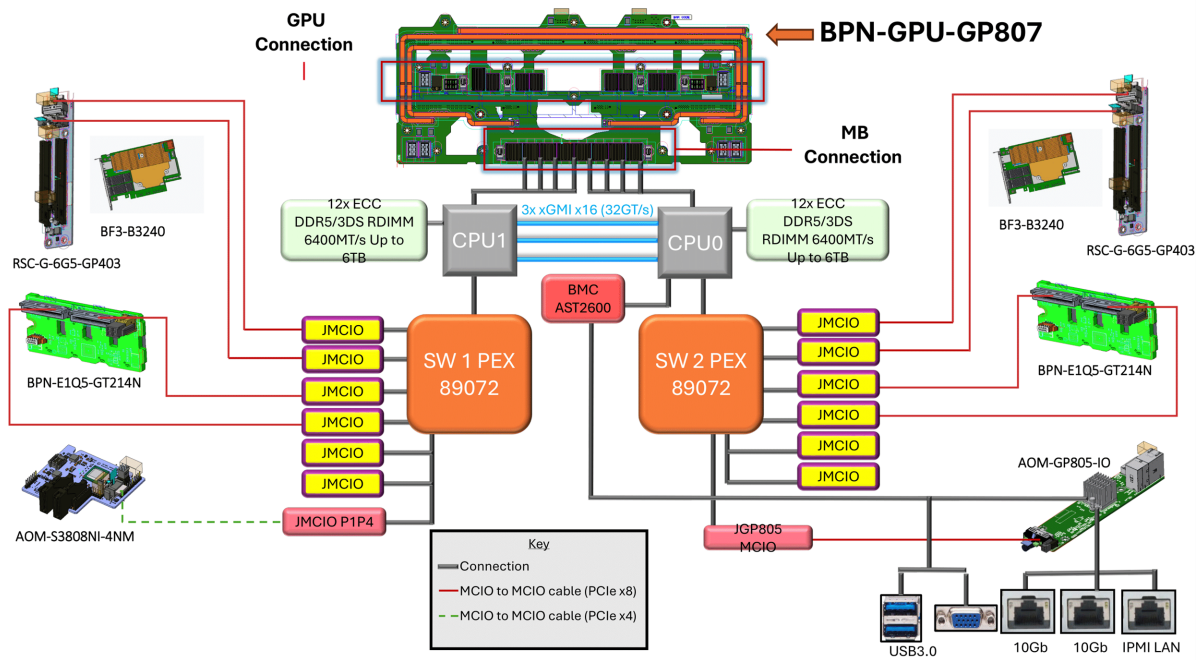


Figure 1-6. System Block Diagram

1.4 Motherboard Quick Reference

For details on the H14DSG-OM motherboard layout and other quick reference information, refer to the content below.

Motherboard Layout

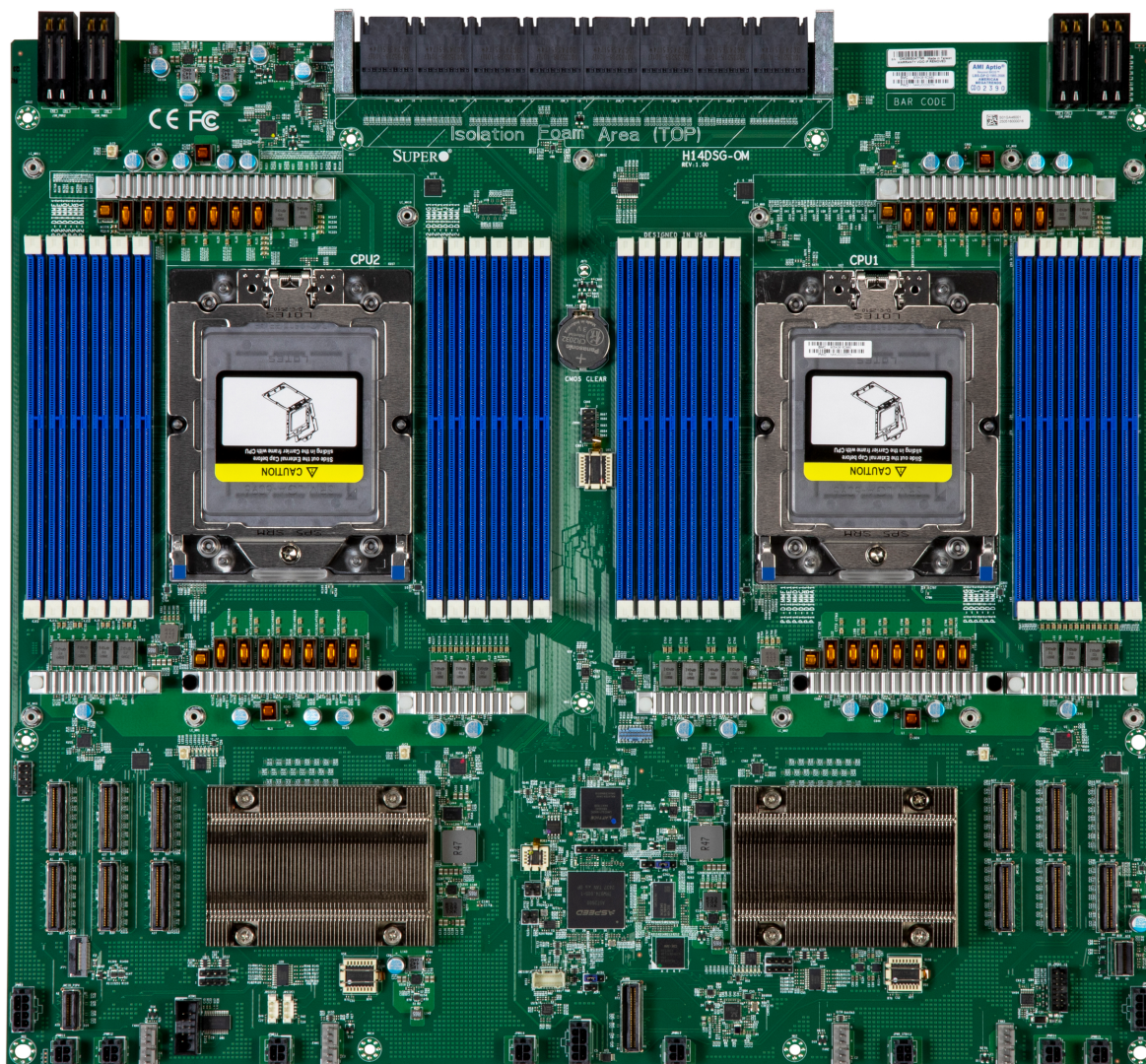


Figure 1-7. H14DSG-OM Motherboard Image

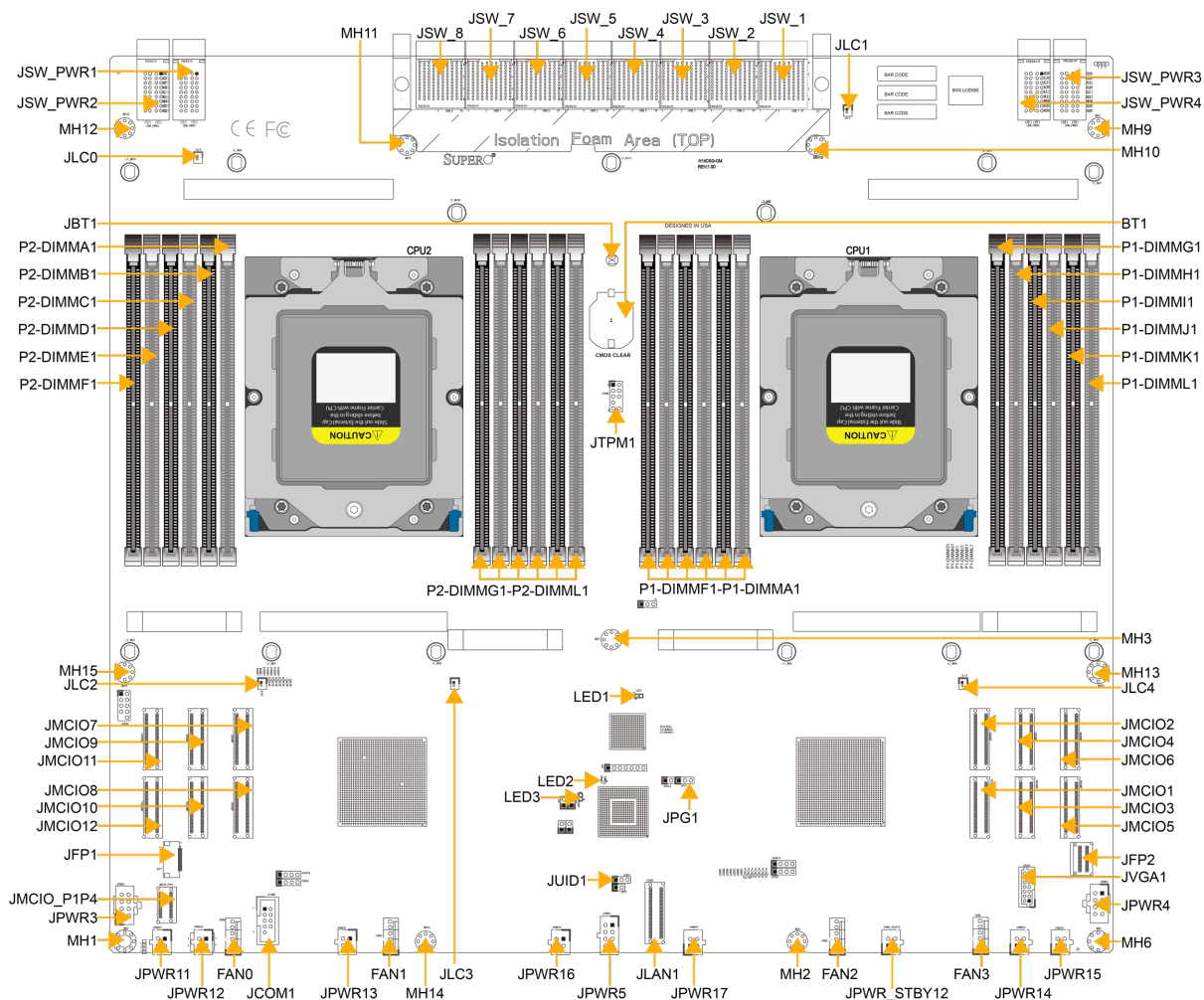


Figure 1-8. H14DSG-OM Motherboard Layout

Notes:

- For detailed information on jumpers, connectors, and LED indicators, see ["Maintenance and Component Installation"](#) on page 37.
- "■" indicates the location of pin 1.
- "MH" indicates the location of a mounting hole.
- Components not documented are for internal testing purposes only.
- Use only the correct type of onboard CMOS battery as specified by the manufacturer. To avoid possible explosion, do not install the onboard battery upside down.

Quick Reference Table

Jumper	Description	Default Setting
JBT1	CMOS Clear	Open (Normal)
JPG1	VGA Enable/Disable	Pins 1-2 (Enable)
JUID1	Switch Function UID/Reset	Pins 1-2 (UID)

LED	Description	Status
LED1	Power LED	Solid Green: Power On
LED2	RoT Status LED	Off: Normal Red on: Fail
LED3	BMC Heartbeat LED	Green: Blinking (BMC Normal) Green: Fast Blinking (BMC Initializing)

Connector	Description
BT1	Onboard Battery
JCOM1	Front Accessible COM Port Header
P1-DIMMA to P1-DIMML P2-DIMMA to P2-DIMML	24 Memory Module Slots
FAN0-3	6-pin System Cooling Fan Headers
JFP1	Front Control Panel Header
JFP2	Front USB2.0, USB3.0, and mini DisplayPort I/O Panel Header
JLAN1	Front LAN MCIO Connector (PCIe 3.0 x4)
JLC0-JLC4	2-pin Liquid-Cooling Header
JMCIO1, 2, 7, 8	AOC (PCIe 5.0 x8)
JMCIO3, 4, 9, 10	E1.S (PCIe 5.0 x8)
JMCIO5, 6, 11, 12	BF3/Storage RAID (PCIe 5.0 x8) (Optional)
JMCIO_P1P4	PCIe 3.0 x4 (Processor 2) for M.2 Module
JPWR3, JPWR4, JPWR5	12 V 2x4 Power Supply Connector
JPWR11-JPWR17	12 V 2x2 Power Connectors
JPWR_STBY12	12 V Aux Power Connector

Connector	Description
JSW_1-JSW_8	PCIe Connectors Connected to Middle Plane
JSW_PWR1 JSW_PWR2 JSW_PWR3 JSW_PWR4	12 V Power to Motherboard
JTPM1	Trusted Platform Module/Port 80 Connector
JVGA1	Back Panel VGA Port

Note: Jumpers, connectors, switches, and LED indicators that are not described in these tables are for manufacturing testing purposes only, and are not covered in this manual.

Chapter 2:

Server Installation

This chapter provides advice and instructions for mounting your server in a server rack. If your server is not already fully integrated with processors, system memory, etc., refer to ["Maintenance and Component Installation"](#) on page 37 for details on installing those specific components.

Important: Electrostatic Discharge (ESD) can damage electronic components. To prevent such damage to printed circuit boards (PCBs), it is important to use a grounded wrist strap, handle all PCBs by their edges, and keep PCBs in anti-static bags when not in use.

2.1 Unpacking the System	28
2.2 Preparing for Setup	29
Choosing a Setup Location	29
Rack Precautions	29
System Precautions	29
Rack Mounting Considerations	30
2.3 Installing the Rails	32
Identifying the Rails	32
Installing the Rails onto the Rack	33
2.4 Installing the Chassis into the Rack	35
Removing the Chassis from the Rack	35

2.1 Unpacking the System

Inspect the box the AS -8126GS-NB3RT server was shipped in and note if it was damaged in any way. If any equipment appears damaged, file a damage claim with the carrier who delivered it.

Decide on a suitable location for the rack unit that will hold the server. It should be situated in a clean, dust-free area that is well ventilated. Avoid areas where heat, electrical noise and electromagnetic fields are generated. It will also require a grounded AC power outlet nearby. Be sure to read the precautions and considerations noted in ["Standardized Warning Statements for AC Systems"](#) on page 146.

2.2 Preparing for Setup

The box in which the AS -8126GS-NB3RT server was shipped should include the rackmount hardware needed to install it into the rack. Read this section in its entirety before you begin the installation.

Choosing a Setup Location

- The server should be situated in a clean, dust-free area that is well ventilated. Avoid areas where heat, electrical noise and electromagnetic fields are generated.
- Leave enough clearance in front of the rack so that you can open the front door completely (~25 inches) and approximately 30 inches of clearance in the back of the rack to allow sufficient space for airflow and access when servicing.
- This product should be installed only in a Restricted Access Location (dedicated equipment rooms, service closets, etc.).
- This product is not suitable for use with visual display workplace devices according to §2 of the German Ordinance for Work with Visual Display Units.

Rack Precautions

- Ensure that the leveling jacks on the bottom of the rack are extended to the floor so that the full weight of the rack rests on them.
- In single rack installations, stabilizers should be attached to the rack. In multiple rack installations, the racks should be coupled together.
- Always make sure the rack is stable before extending a server or other component from the rack.
- You should extend only one server or component at a time. Extending two or more simultaneously may cause the rack to become unstable.

System Precautions

- Review the electrical and general safety precautions in "[Standardized Warning Statements for AC Systems](#)" on page 146.
- Determine the placement of each component in the rack before you install the rails.
- Install the heaviest server components at the bottom of the rack first and then work your way up.

- Use a regulating uninterruptible power supply (UPS) to protect the server from power surges and voltage spikes and to keep your system operating in case of a power failure.
- Allow any drives and power supply modules to cool before touching them.
- When not servicing, always keep the front door of the rack and all covers/panels on the servers closed to maintain proper cooling.

Rack Mounting Considerations



Warning! Stability hazard. The rack may tip over causing serious personal injury. Before extending the rack to the installation position, read the installation instructions. Do not put any load on the slide-rail mounted equipment in the installation position. Do not leave the slide-rail mounted equipment in the installation position.



Avertissement!

Danger d'instabilité. Le rack peut basculer et provoquer des blessures corporelles graves.

Avant d'étendre le rack en position d'installation, lire les instructions d'installation. Ne pas charger l'équipement monté sur rail de glissière en position d'installation. Ne pas laisser l'équipement monté sur rail de glissière en position d'installation.

Important: To prevent bodily injury when mounting or servicing this unit in a rack, you must take special precautions to ensure that the system remains stable. The following guidelines are provided to ensure your safety:

- If this unit is the only unit in the rack, it should be mounted at the bottom of the rack.
- When mounting this unit in a partially filled rack, load the rack from the bottom to the top, placing the heaviest component at the bottom of the rack.
- If the rack is provided with stabilizing devices, install the stabilizers before mounting or servicing the unit in the rack.
- Slide rail mounted equipment is not to be used as a shelf or a workspace.
- Do not pick up the server with the front handles. They are designed to pull the system from a rack only.

Ambient Operating Temperature

If installed in a closed or multi-unit rack assembly, the ambient operating temperature of the rack environment may be greater than the room's ambient temperature. Therefore, consideration should be given to installing the equipment in an environment compatible with the manufacturer's maximum rated ambient temperature (TMRA).

Airflow

Equipment should be mounted into a rack so that the amount of airflow required for safe operation is not compromised.

Mechanical Loading

Equipment should be mounted into a rack so that a hazardous condition does not arise due to uneven mechanical loading.

Circuit Overloading

Consideration should be given to the connection of the equipment to the power supply circuitry and the effect that any possible overloading of circuits might have on overcurrent protection and power supply wiring. Appropriate consideration of equipment nameplate ratings should be used when addressing this concern.

Reliable Ground

A reliable ground must be maintained at all times. To ensure this, the rack itself should be grounded. Particular attention should be given to power supply connections other than the direct connections to the branch circuit (i.e. the use of power strips, etc.).

2.3 Installing the Rails

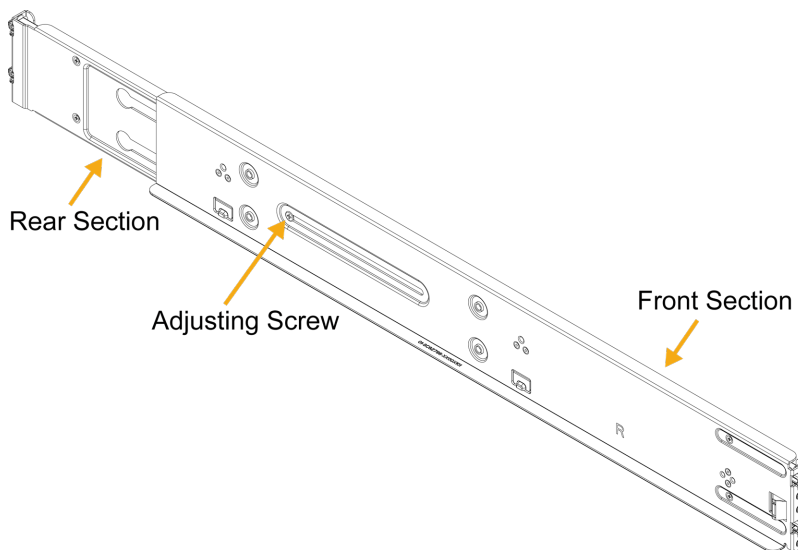
This section provides information on installing the CSE-GP807TS-R000NP chassis into a rack unit with the rails provided. There are a variety of rack units on the market, which may mean that the assembly procedure will differ slightly from the instructions provided. You should also refer to the installation instructions that came with the rack unit you are using.

Note: This rail will fit a rack between 26.8" and 36.4" deep.

Identifying the Rails

The CSE-GP807TS-R000NP chassis package includes two rail assemblies. Each assembly consists of two sections: a front section which secures to the front post of the rack, and a rear section which adjusts in length and secures to the rear post of the rack. These assemblies are specifically designed for the left and right side of the chassis and labeled.

Note: Each rail assembly has a locking screw to adjust the length of the rail to fit the depth of your rack.



**Figure 2-1. Identifying the Rackmount Rail
(Right Rail Assembly Shown)**

Installing the Rails onto the Rack

1. Loosen the adjusting screw to allow the rear section to slide in the front section.
2. Push the small hooks on the front section of the rail into the holes on the front post of the rack and then down, until the spring-loaded pegs snap into the rack holes. Secure the rail to the rack with screws.
3. Pull out the rear section of the outer rail, adjusting the length until it fits within the posts of the rack and align the small hooks with the appropriate holes on the rear post of the rack. Be sure the rail is level, then mount the rear section onto the rack. Secure the rail with screws.
4. Tighten the adjusting screw.

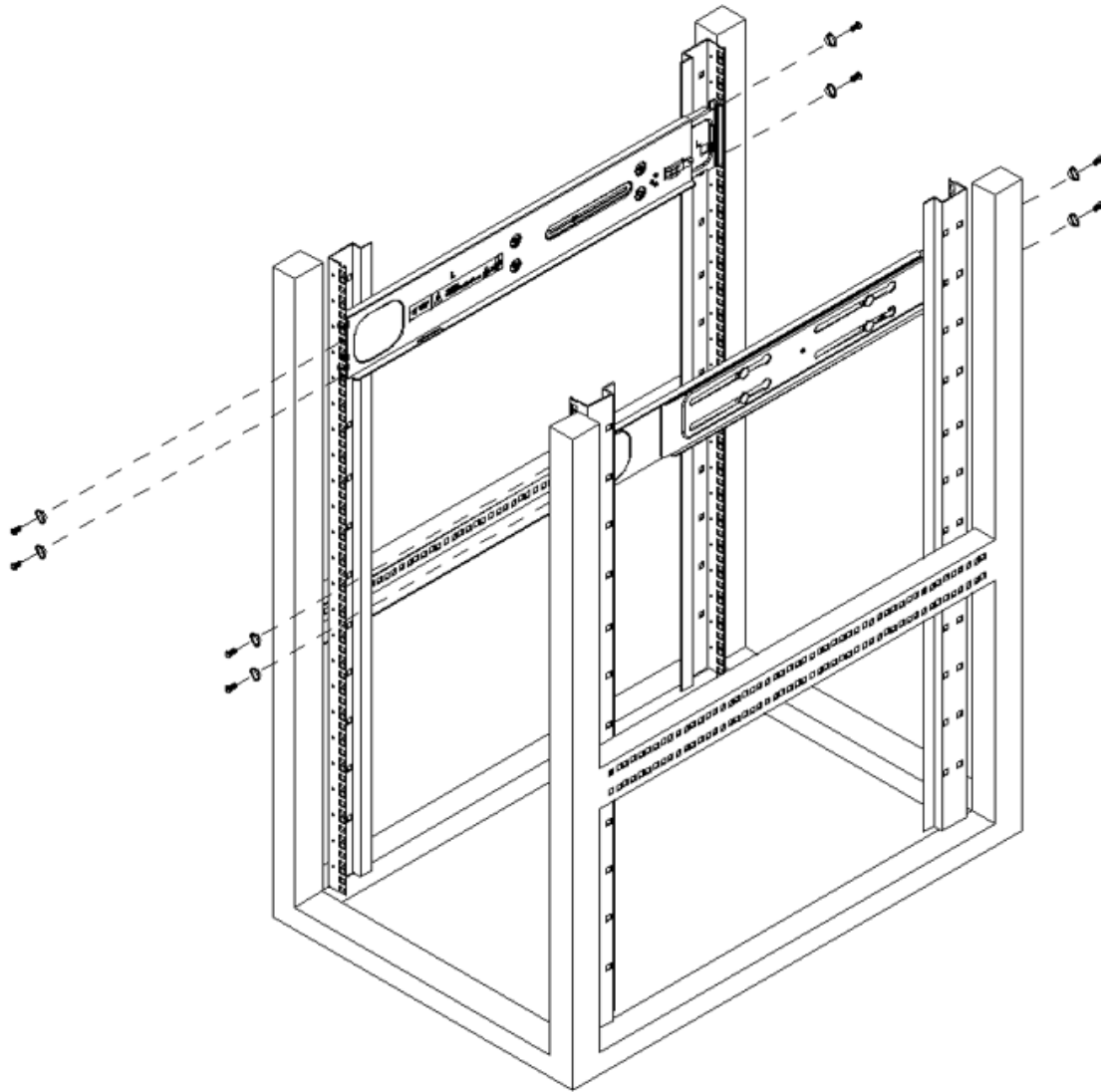


Figure 2-2. Attaching the Rail to the Rack

Important: This figure is for illustrative purposes only. Always install servers to the bottom of a rack first.

2.4 Installing the Chassis into the Rack

Important: Use caution when mounting or removing the system from the rack. For large systems, at least one other person must assist during installation or removal. Follow the safety recommendations printed on the rails. Depending on the size of the system, you might need to use a lift.

Slide the chassis into the rack so that the bottom of the AS -8126GS-NB3RT server slides onto the bottom lip of the rails.

Important: This figure is for illustrative purposes only. Always install servers to the bottom of a rack first.

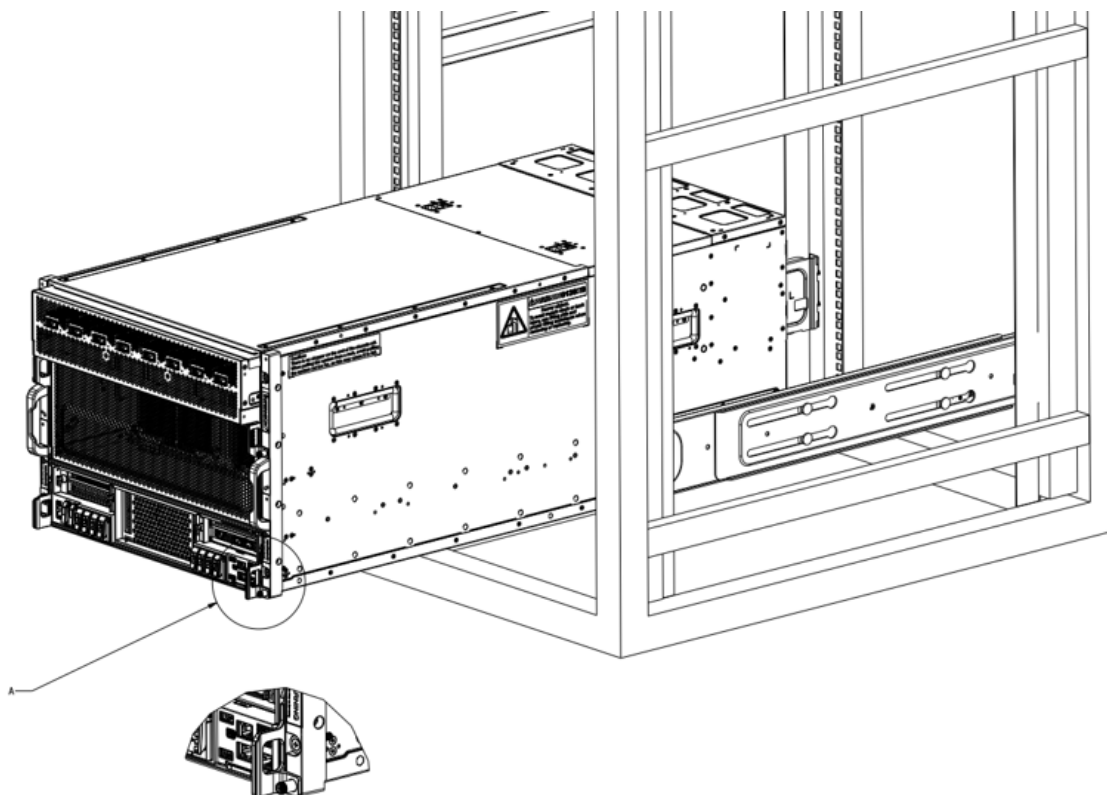


Figure 2-3. Sliding the AS -8126GS-NB3RT into the Rack

Removing the Chassis from the Rack

The process of removing the chassis from the rack is the reverse of the installation procedure.

Important: Use caution when mounting or removing the system from the rack. For large systems, at least one other person must assist during installation or removal. Follow the safety recommendations printed on the rails. Depending on the size of the system, you might need to use a lift.

1. Remove the power to your system, then remove all screws from the GPU and CPU drawers. See ["Accessing the System" on page 40](#) for details on removing the GPU and CPU drawers.
2. Pull the drawers out one at a time until all remaining drawers have been removed.
3. Remove the system as illustrated below.
 1. If necessary, loosen the thumb screws on the front of the chassis that hold it in the rack.
 2. Pull the chassis forward out the front of the rack until it stops.
 3. Press the release latches on each of the inner rails downward simultaneously and continue to pull the chassis forward and out of the rack.

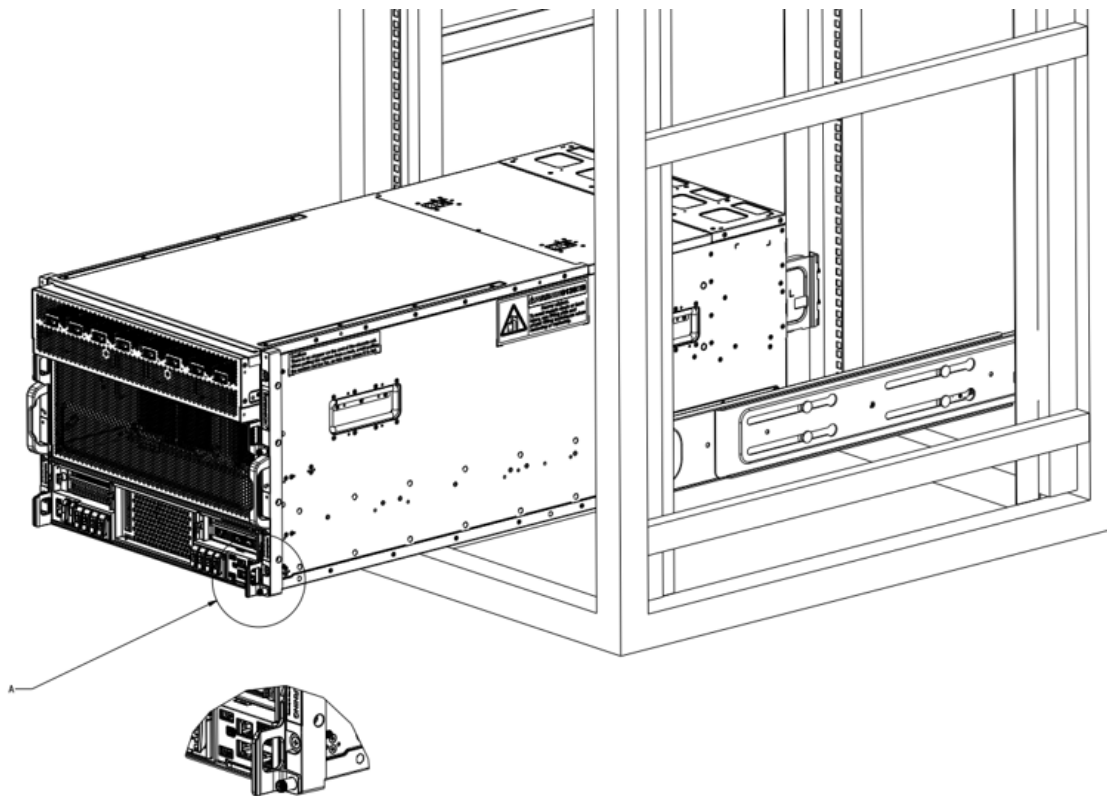


Figure 2-4. Removing the AS -8126GS-NB3RT from the Rack

Chapter 3:

Maintenance and Component Installation

This chapter provides instructions on installing and replacing main system components for the AS -8126GS-NB3RT server. To prevent compatibility issues, only use components that match the specifications and/or part numbers given.

Installation or replacement of most components require that power first be removed from the system. Follow the procedures given in each section.

3.1 Removing Power	39
3.2 Accessing the System	40
Removing the GPU Drawer	40
Reinstalling the GPU Drawer	41
Removing the CPU Drawer	41
3.3 Static-Sensitive Devices	42
Precautions	42
3.4 Processor and Heatsink Installation	43
Preparing the Processor Socket	43
Installing the Processor into the Frame	45
Uninstalling the Heatsink and Processor	49
3.5 Memory Support and Installation	50
Memory Support	50
General Guidelines for Optimizing Memory Performance	51
DIMM Population	51
DIMM Installation	52
DIMM Removal	55
3.6 Motherboard Battery Removal and Installation	56
Battery Removal	56
Proper Battery Disposal	56
Battery Installation	56
3.7 Storage Drives	57
E1.S NVMe Drives	57
M.2 NVMe Drives	57

Hot-Swap for NVMe Drives	58
3.8 System Cooling	60
Fans	60
Air Shrouds	62
3.9 Expansion Cards	64
PCIe Cards	64
3.10 Cable Routing Diagrams	65
Cable Routing	65
3.11 Power Supply	67
Replacing a Power Supply	67

3.1 Removing Power

Before performing some setup or maintenance tasks, use the following procedure to ensure that power has been removed from the AS -8126GS-NB3RT server. This step is necessary when removing or installing non hot-swap components or when replacing a non-redundant power supply.

1. Use the operating system to power down the system.
2. After the system has completely shut-down, disconnect the AC power cord(s) from the power strip or outlet.
3. Disconnect the power cord(s) from the power supply module(s).

3.2 Accessing the System

The AS -8126GS-NB3RT server features a removable GPU and CPU drawer, which allows easy access to the inside of the server.

Removing the GPU Drawer

The GPU drawer contains the system's GPUs and can be removed from the chassis for maintenance.

1. Remove power from the system as described in "[Removing Power](#)" on the previous page". Wait until the power supply indicator lights have fully turned off.
2. There are two levers, one located directly on the left and right side of the GPU drawer. Pull both levers downward, as shown.
3. Use these levers to pull the drawer out from the chassis carefully.

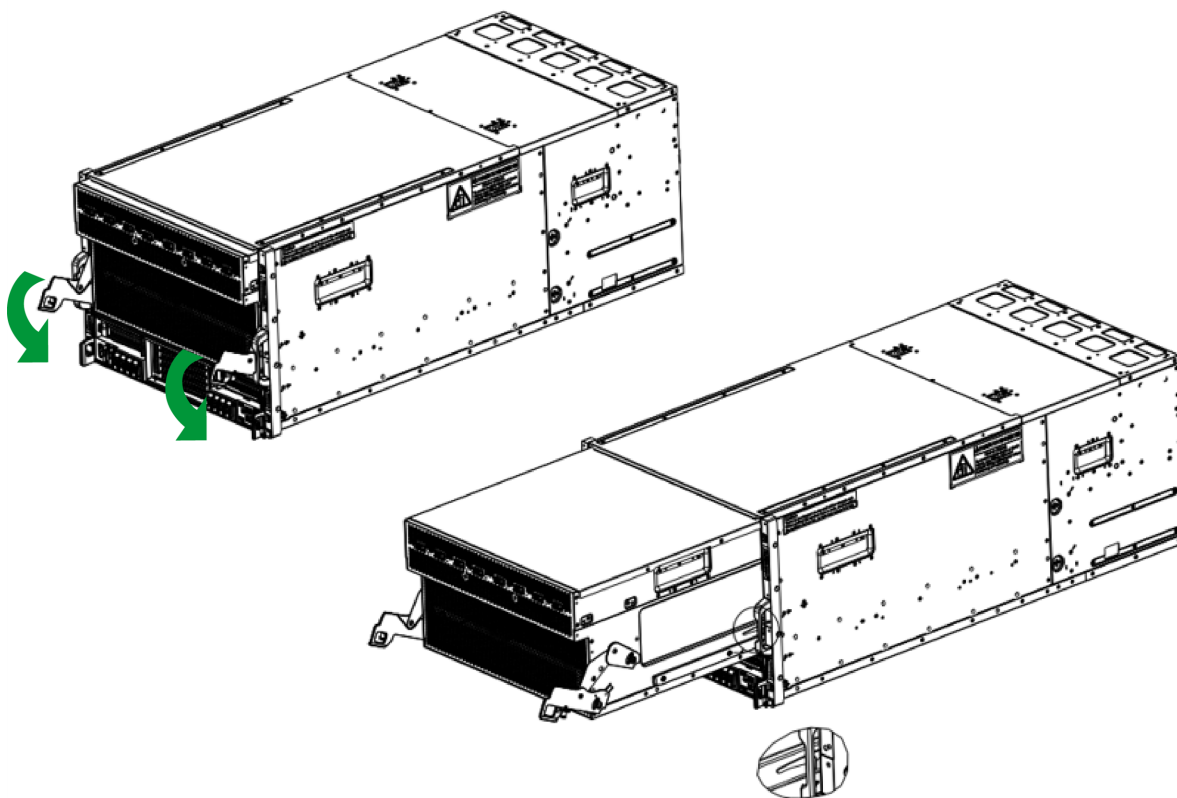


Figure 3-1. Removing the GPU Drawer

Reinstalling the GPU Drawer

1. To reinstall the GPU drawer, slide the drawer into the chassis.
2. Push the levers back until they snap into place.
3. Secure each lever with a screw.

Removing the CPU Drawer

The CPU drawer houses the system's motherboard, CPU, and related components. The CPU drawer may be removed from the chassis for maintenance.

1. Remove power from the system as described in ["Removing Power" on page 39](#). Wait until the power supply indicator lights have fully turned off.
2. There are two levers, one located directly on the left and right side of the CPU drawer. Pull both levers downward, as shown.
3. Use these levers to pull the drawer out from the chassis carefully.

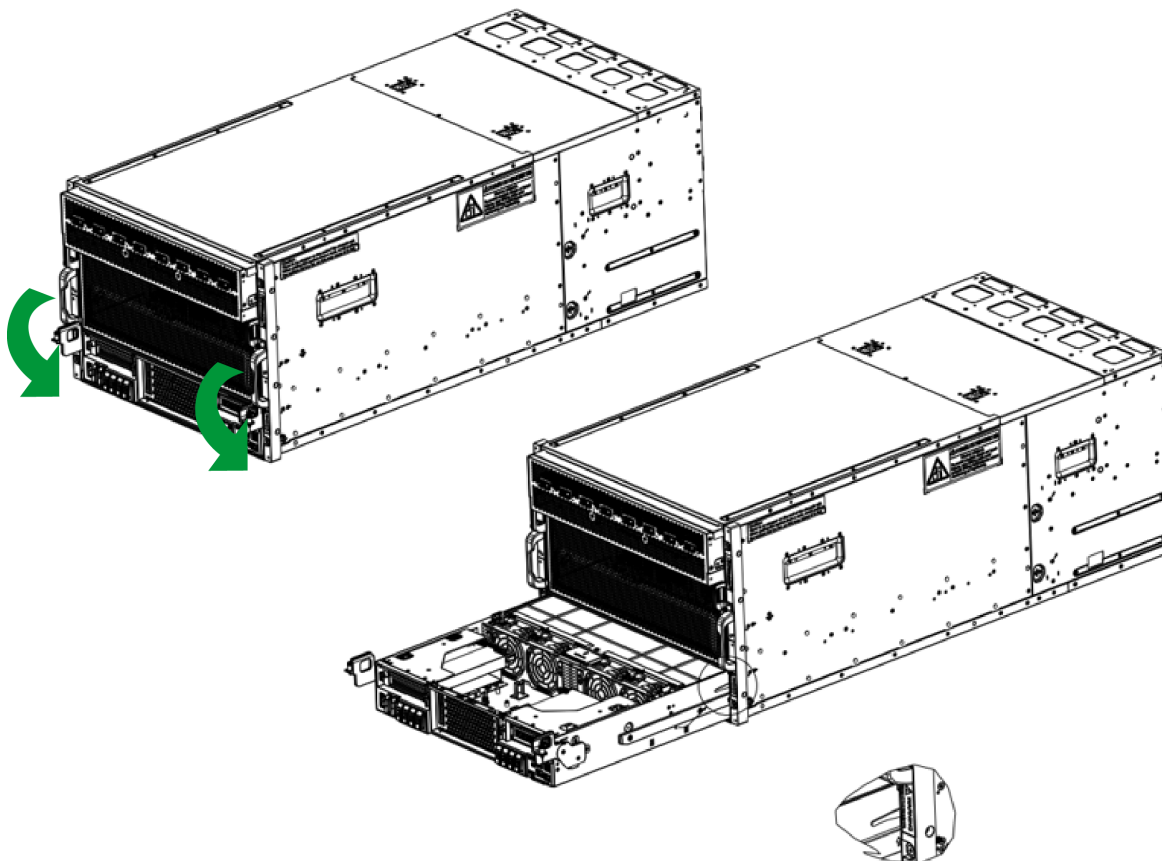


Figure 3-2. Removing the CPU Drawer

3.3 Static-Sensitive Devices

Electrostatic Discharge (ESD) can damage electronic components. To avoid damaging your motherboard, it is important to handle it very carefully. The following measures are generally sufficient to protect your equipment from ESD.

Precautions

- Use a grounded wrist strap designed to prevent static discharge.
- Touch a grounded metal object before removing the board from the antistatic bag.
- Handle the motherboard only by its edges. Do not touch its components, peripheral chips, memory modules, or gold contacts.
- When handling chips or modules, avoid touching their pins.
- Put the motherboard and peripherals back into their antistatic bags when not in use.
- For grounding purposes, make sure that your computer chassis provides excellent conductivity between the power supply, the case, the mounting fasteners, and the motherboard.
- Use only the correct type of onboard CMOS battery. To avoid possible explosion, do not install the onboard battery upside down.

3.4 Processor and Heatsink Installation

This section provides procedures to install the processor(s) and heatsink(s).

Notes:

- Take industry standard precautions to avoid ESD damage. For details, see "[Static-Sensitive Devices](#)" on the previous page.
- Before starting, make sure that the plastic socket cap is in place and none of the socket pins are bent. If any damage is noted, contact your retailer.
- Do not connect the system power cord before the processor and heatsink installation is complete.
- When handling the processor, avoid touching or placing direct pressure on the LGA lands (gold contacts). Improper installation or socket misalignment can cause serious damage to the processor or processor socket.
- When buying a processor separately, use only a Supermicro certified heatsink.
- Refer to the Supermicro website for the most recent processor support.
- When installing the heatsink, ensure a torque driver set to the correct force is used for each screw.
- Thermal grease is pre-applied on a new heatsink. No additional thermal grease is needed.

Preparing the Processor Socket

1. Remove the screw holding down the force frame. The spring-loaded force frame will raise up. Allow it to lift up to its stopped position.

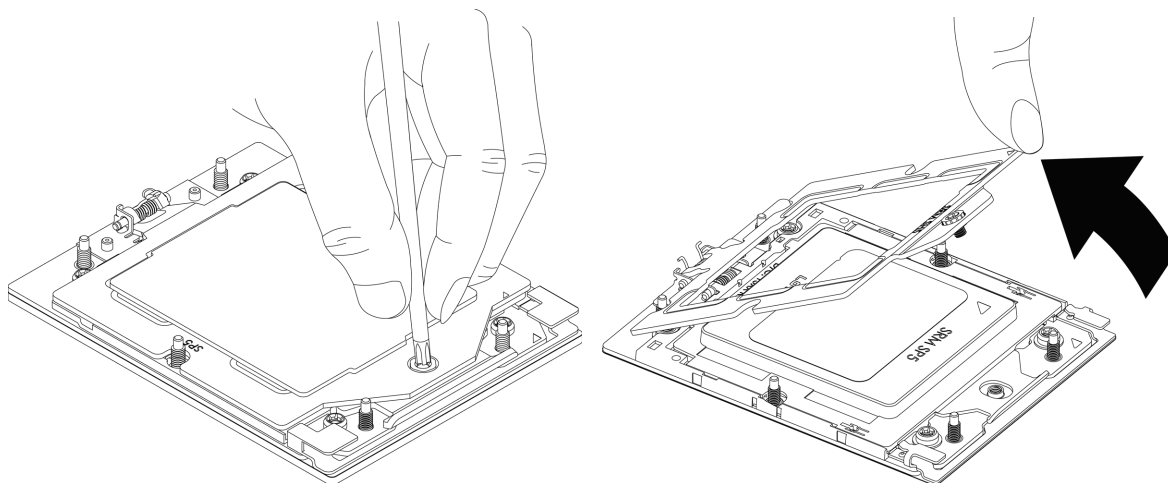


Figure 3-3. Removing Screw from the Force Frame

2. Lift the rail frame up by gripping the lift tabs near the front end of the rail frame. While keeping a secure grip of the rail frame, lift it to a position so you can do the next step of removing the external cap.

Note: The rail frame is spring loaded, so keep a secure grip on it as you lift it so it does not snap up.

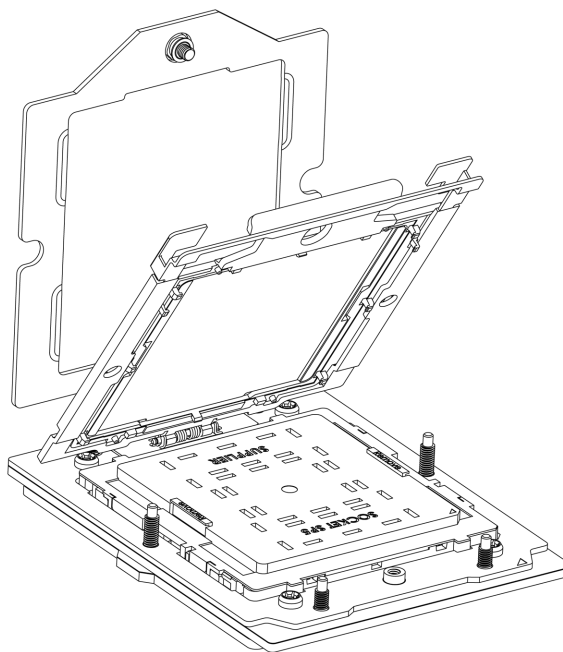


Figure 3-4. Lifting the Frame

3. Remove the external cap from the rail frame by pulling it upwards through the rail guides on the rail frame.

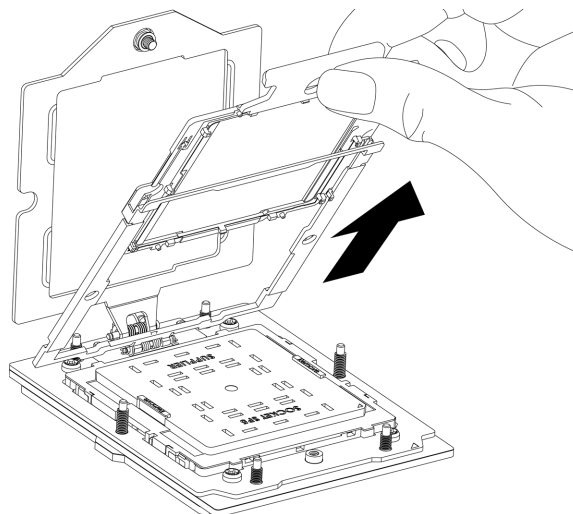


Figure 3-5. Removing the Cap

Installing the Processor into the Frame

1. The processor package is shipped from the factory with the carrier frame pre-assembled. Grip the handle of the carrier frame/processor assembly from its shipping tray, and while gripping the handle, align the flanges of the carrier frame onto the rails of the rail frame so its pins will be at the bottom when the rail frame is lowered later.
2. Slide the carrier frame/processor assembly downwards to the bottom of the rail frame. Ensure the flanges are secure on the rails as you lower it downwards.

Note: You can only install the processor inside the socket in one direction with the handle at the top. Make sure that it is properly inserted into the socket before closing the rail frame plate. If it doesn't close properly, do not force it as it may damage your processor. Instead, open the rail frame plate again, and double-check that the processor is aligned properly.

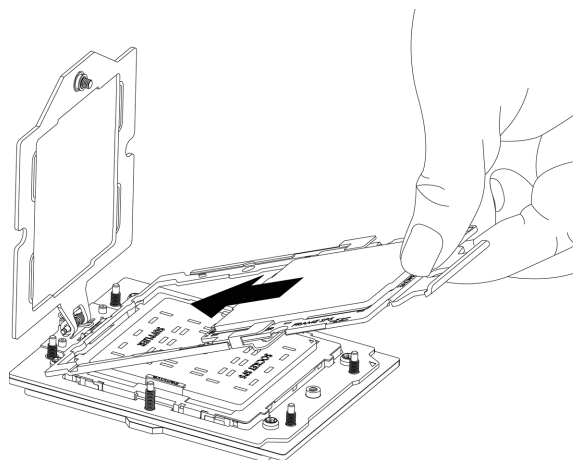


Figure 3-6. Installing into the Rail Frame

3. Lift up the rail frame until it securely rests in an upright position. Then remove the cover cap from the socket below. Grip the two lift tabs marked "Remove" at the middle of the cap and pull vertically upwards to remove the cover cap.

Important: The exposed socket contacts are extremely vulnerable and can be damaged easily. Do not touch or drop objects onto the contacts and be careful removing the cover cap and when placing the rail frame over the socket.

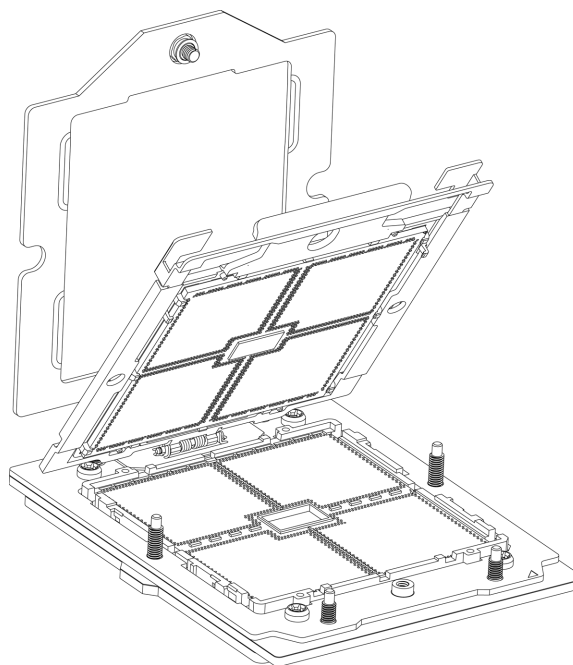


Figure 3-7. Removing the Cover Cap

4. Gently lower the rail frame down onto the socket until the latches on the rail frame engage with the socket housing and it rests in place. Do not force it into place! Note that the force frame is spring loaded and must be held in place before it is secured.

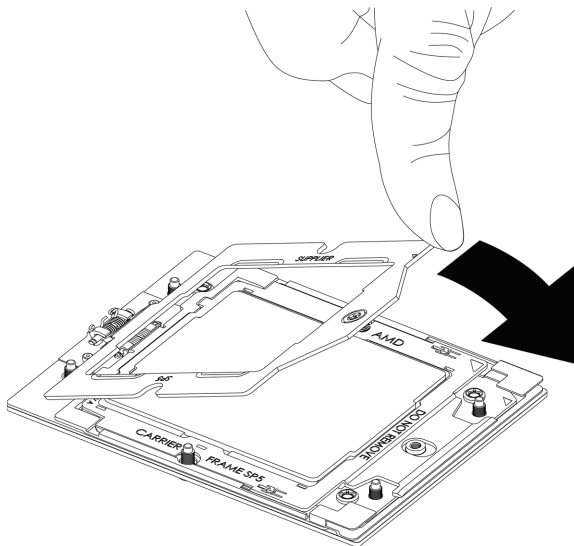


Figure 3-8. Securing the Force Frame

5. Use a T20 bit torque driver, set at 12.5–15.0 kgf-cm (10.8–13.0 lbf-in) to prevent damage to the processor. Replace and tighten the screws in the same order they were removed. When finished, the force frame will be secure over both the rail frame and processor package.

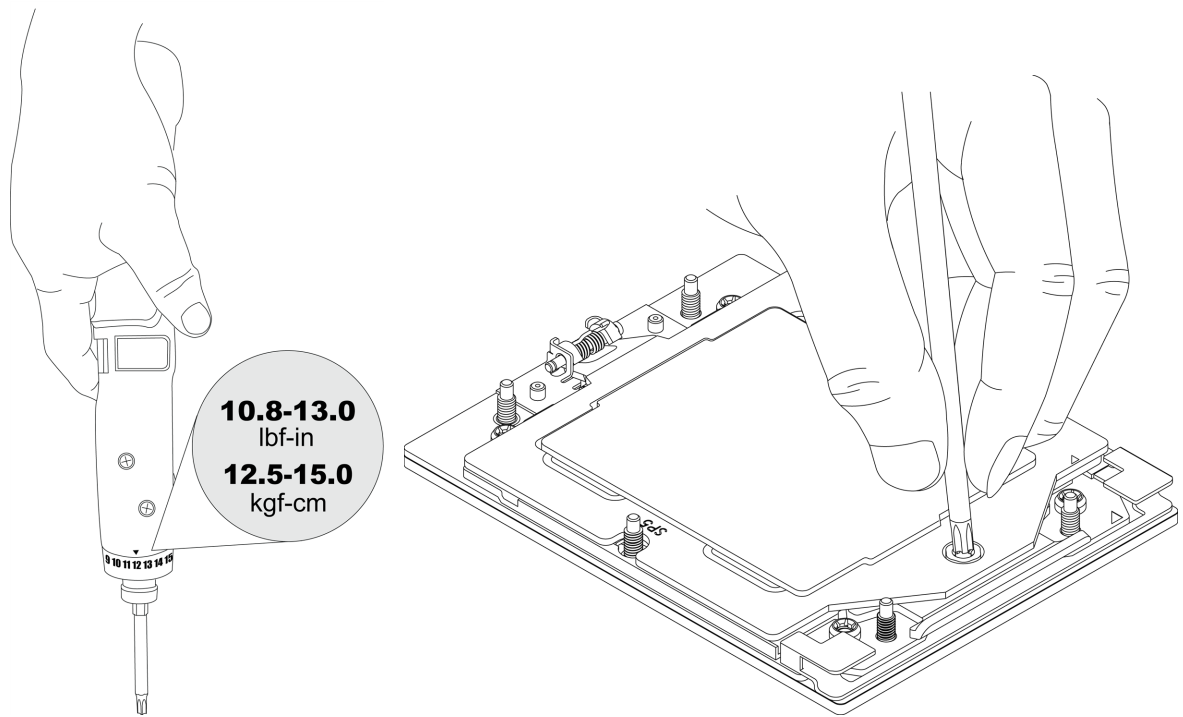


Figure 3-9. Replacing Screws with Torque Driver

Uninstalling the Heatsink and Processor

1. Remove the screws holding the heatsink and gently work it loose.
2. Clean the thermal grease left by the heatsink on the processor assembly to limit the risk of contaminating the land pads or contacts in the socket housing.
3. Unscrew the plate and lift the force frame to the vertical position.
4. Lift the rail frame using the lift tabs near the front end of the rail frame. Note that the rail frame is spring loaded, so be careful lifting it up into a vertical position.
5. Grip the handle of the carrier frame and pull upwards to extract it from the rail frame. Return the processor assembly to its original shipping container.
6. Grip the handle on the external cap and return it to the rail frame, sliding it downwards until it rests in the frame.
7. Gripping the rail frame, rotate it downwards until it rests above and locks over the socket housing in its horizontal position.
8. Push and rotate down the force frame until it is over the external cap and rail frame in a horizontal position.
9. While holding down the force frame, secure it back to the socket frame by securing screw #1 in place.

3.5 Memory Support and Installation

Important: To prevent any damage, exercise extreme care when installing or removing memory modules.

Note: Check the Supermicro website for recommended memory modules.

Memory Support

The motherboard supports up to 6 TB of ECC DDR5 6400 MT/s speed, RDIMM/3DS memory in 24 DIMM slots. Refer to the tables below for additional information.

Populating RDIMM/RDIMM 3DS DDR5 Memory Modules with AMD EPYC 9004 Series Processors			
Type	DIMM Population	Maximum Frequency (MT/s)	
	DIMM1	5600 MT/s Grade DIMM	4800 MT/s Grade DIMM
RDIMM	1R (1 rank)	4800	4800
	2R (2 ranks)		
3DS RDIMM	2S2R (4 ranks)		
	2S4R (8 ranks)		

Populating RDIMM/RDIMM 3DS DDR5 Memory Modules with AMD EPYC 9005 Series Processors				
Type	DIMM Population	Maximum Frequency (MT/s)		
	DIMM1	6400 MT/s Grade DIMM	5600 MT/s Grade DIMM	4800 MT/s Grade DIMM
RDIMM	1R (1 rank)	6400	5600	4800
	2R (2 ranks)			
3DS RDIMM	2S2R (4 ranks)			
	2S4R (8 ranks)			

Note: Use Supermicro validated memory to achieve 6400 MT/s. Contact Supermicro representatives for more details.

General Guidelines for Optimizing Memory Performance

- It is recommended to use DDR5 memory of the same type, size, and speed.
- Mixed DIMM speeds can be installed. However, all DIMMs will run at the speed of the slowest DIMM.
- The motherboard will support an odd number amount of memory modules. However, to achieve the best memory performance, a balanced memory population is recommended.

DIMM Population

This table shows the recommended slots to populate.

DIMM Population Guide for Single CPU															
Type	Channel											Nodes per Socket (NPS) Supported			
	F1	E1	D1	C1	B1	A1	CPU	G1	H1	I1	J1		K1	L1	
CPU1 & 1 DIMM						V									NPS1
CPU1 & 2 DIMM						V		V							NPS2, NPS1
CPU1 & 4 DIMM*				V		V		V		V					NPS4, NPS2, NPS1
CPU1 & 6 DIMM				V	V	V		V	V	V					NPS2, NPS1
CPU1 & 8 DIMM		V		V	V	V		V	V	V		V			NPS4, NPS2, NPS1
CPU1 & 10 DIMM		V	V	V	V	V		V	V	V	V	V			NPS2, NPS1
CPU1 & 12 DIMM	V	V	V	V	V	V		V	V	V	V	V	V		NPS4, NPS2, NPS1

DIMM Population Guide for Dual CPUs														
Type		Channel												Nodes per Socket (NPS) Supported
		F1	E1	D1	C1	B1	A1	G1	H1	I1	J1	K1	L1	
2 CPUs and 2 DIMMs	CPU1						V							NPS1
	CPU2						V							
2 CPUs and 4 DIMMs	CPU1						V	V						NPS2, NPS1
	CPU2						V	V						
2 CPUs and 8 DIMMs	CPU1				V		V	V		V				NPS4, NPS2, NPS1
	CPU2				V		V	V		V				
2 CPUs and 12 DIMMs	CPU1				V	V	V	V	V	V				NPS2, NPS1
	CPU2				V	V	V	V	V	V				
2 CPUs and 16 DIMMs	CPU1		V		V	V	V	V	V	V		V		NPS4, NPS2, NPS1
	CPU2		V		V	V	V	V	V	V		V		
2 CPUs and 20 DIMMs	CPU1		V	V	V	V	V	V	V	V	V	V		NPS2, NPS1
	CPU2		V	V	V	V	V	V	V	V	V	V		
2 CPUs and 24 DIMMs	CPU1	V	V	V	V	V	V	V	V	V	V	V	V	NPS4, NPS2, NPS1
	CPU2	V	V	V	V	V	V	V	V	V	V	V	V	

Note: Fully populate the motherboard with validated memory modules to achieve optimal memory performance. The NPS setting depends on the application. Selecting Auto in the BIOS defaults to NPS1.

DIMM Installation

Important: To avoid causing any damage to the memory module or the DIMM socket, do not use excessive force when pressing the release tabs on the ends of the DIMM socket. Handle memory modules with care. To avoid ESD-related damage to your memory modules or components, carefully follow all the instructions given in ["Static-Sensitive Devices"](#) on page 42.

1. Insert the desired number of DIMMs into the memory slots based on the recommended DIMM population table earlier in this section.
2. Push the release tabs outwards on both ends of the DIMM slot to unlock it.

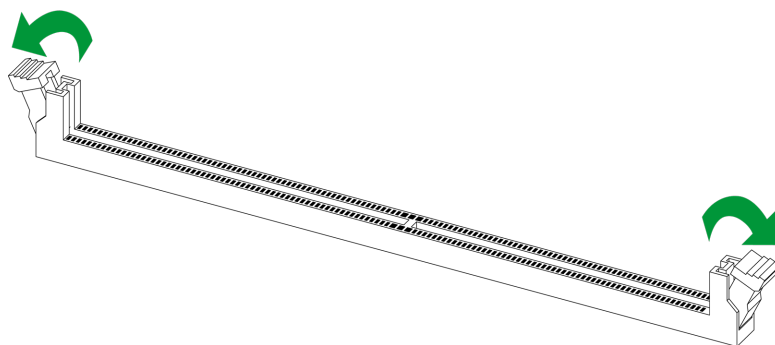


Figure 3-10. Unlocking the DIMM Slot

3. Align the key of the DIMM with the receptive point on the memory slot.

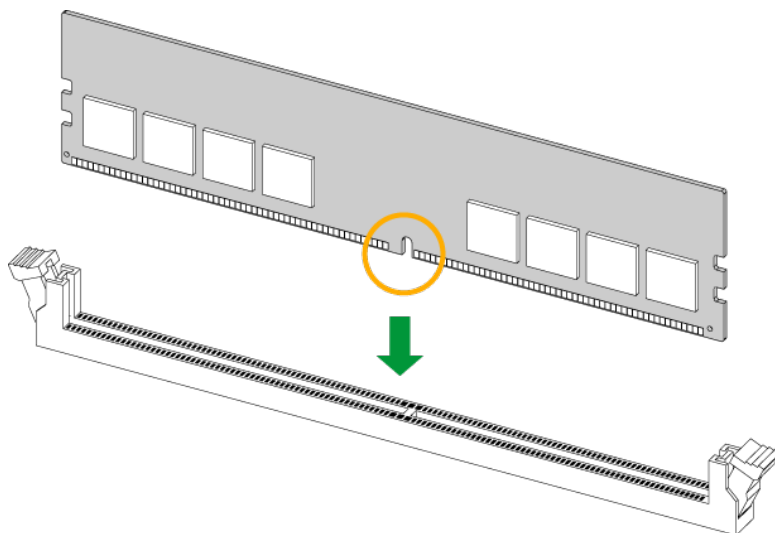


Figure 3-11. Aligning the DIMM Slot with the Receptive Point

4. Align the notches on both ends of the module against the receptive points on the ends of the slot.

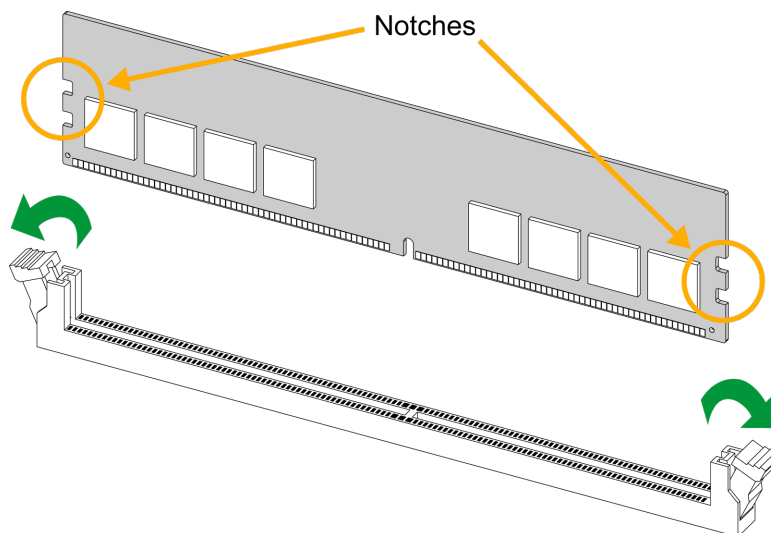


Figure 3-12. Aligning the Notches

5. Press both ends of the module straight down into the slot until the module snaps into place.
6. Press the release tabs to the lock positions to secure the DIMM into the slot.

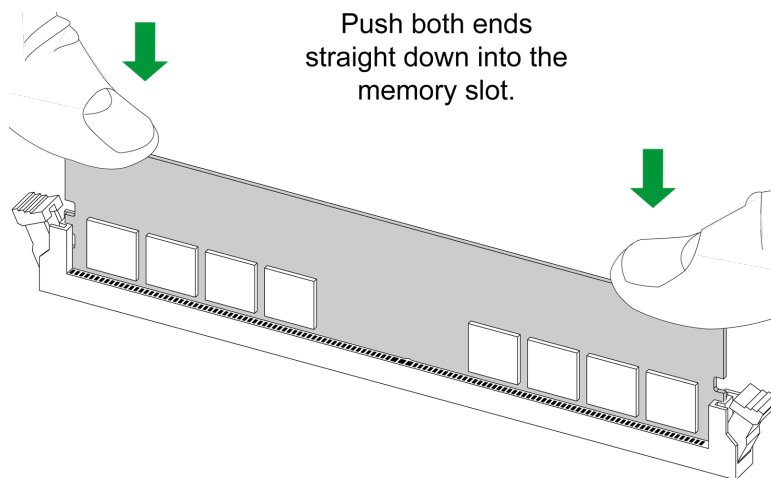


Figure 3-13. Securing the DIMM

For a detailed diagram of the H14DSG-OM motherboard, see the layout under ["Motherboard Quick Reference"](#) on page 23.

DIMM Removal

Important: To avoid causing any damage to the memory module or the DIMM socket, do not use excessive force when pressing the release tabs on the ends of the DIMM socket. Handle memory modules with care. To avoid ESD-related damage to your memory modules or components, carefully follow all the instructions given in "[Static-Sensitive Devices](#)" on [page 42](#).

Press both release tabs on the ends of the DIMM socket to unlock it. Once the DIMM is loosened, remove it from the memory slot.

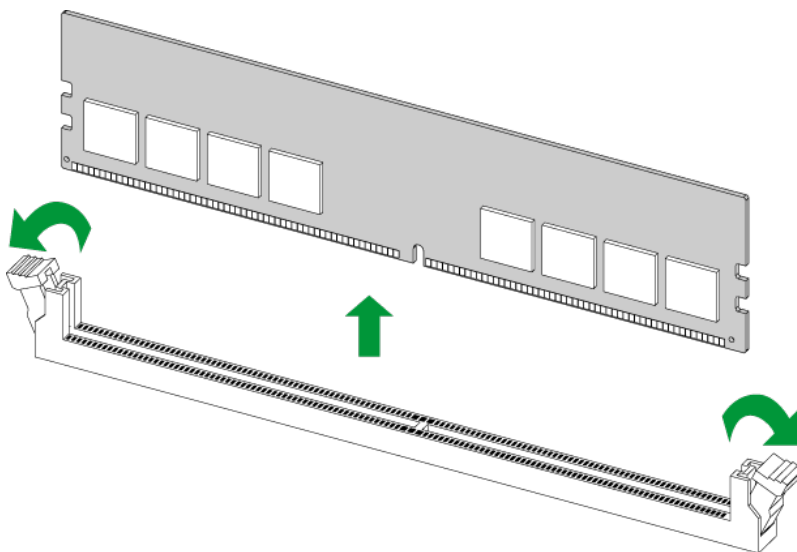


Figure 3-14. Unlocking the DIMM Slot

For a detailed diagram of the H14DSG-OM motherboard, see the layout under "[Motherboard Quick Reference](#)" on [page 23](#).

3.6 Motherboard Battery Removal and Installation

Battery Removal

To remove the onboard battery, follow the steps below:

1. Power off your system and unplug your power cable.
2. Place the system on a workbench.
3. Remove the top cover from the system.
4. Locate the onboard battery as shown below.
5. Using a tool such as a pen or a small screwdriver, push the battery lock outwards to unlock it. Once unlocked, the battery will pop out from the holder.
6. Remove the battery.

Proper Battery Disposal

Important: Handle used batteries carefully. Do not damage the battery in any way; a damaged battery may release hazardous materials into the environment. Do not discard a used battery in the garbage or a public landfill. Comply with the regulations set up by your local hazardous waste management agency to dispose of your used battery properly.

Battery Installation

To install an onboard battery, follow steps 1 and 2 above and continue below:

Important: When replacing a battery, be sure to only replace it with the same type.

1. Identify the battery's polarity. The positive (+) side should be facing up.
2. Insert the battery into the battery holder and push it down until you hear a click to ensure that the battery is securely locked.

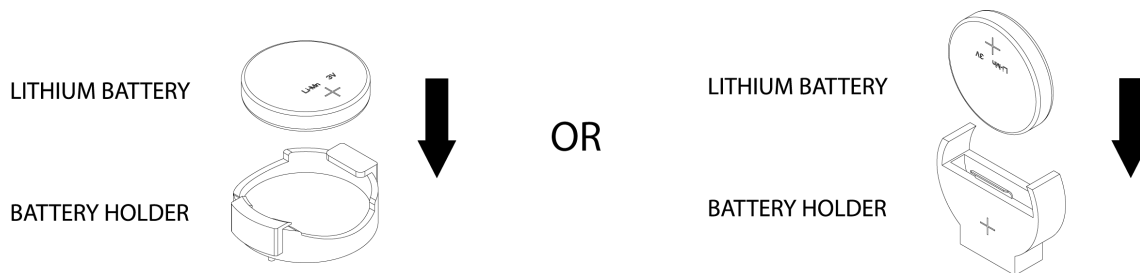


Figure 3-15. Installing a Battery

3.7 Storage Drives

The AS -8126GS-NB3RT system supports eight hot-swap 2.5" E1.S NVMe drive bays and two hot-swap M.2 NVMe drive bays

Note: Enterprise-level storage modules are recommended for use in Supermicro servers.

E1.S NVMe Drives

The AS -8126GS-NB3RT supports eight hot-swap E1.S NVMe storage drives.

Removing Drives from the Chassis

1. Press the release button on the drive carrier, which will extend the drive carrier handle.
2. Use the drive carrier handle to pull the carrier out of the chassis.

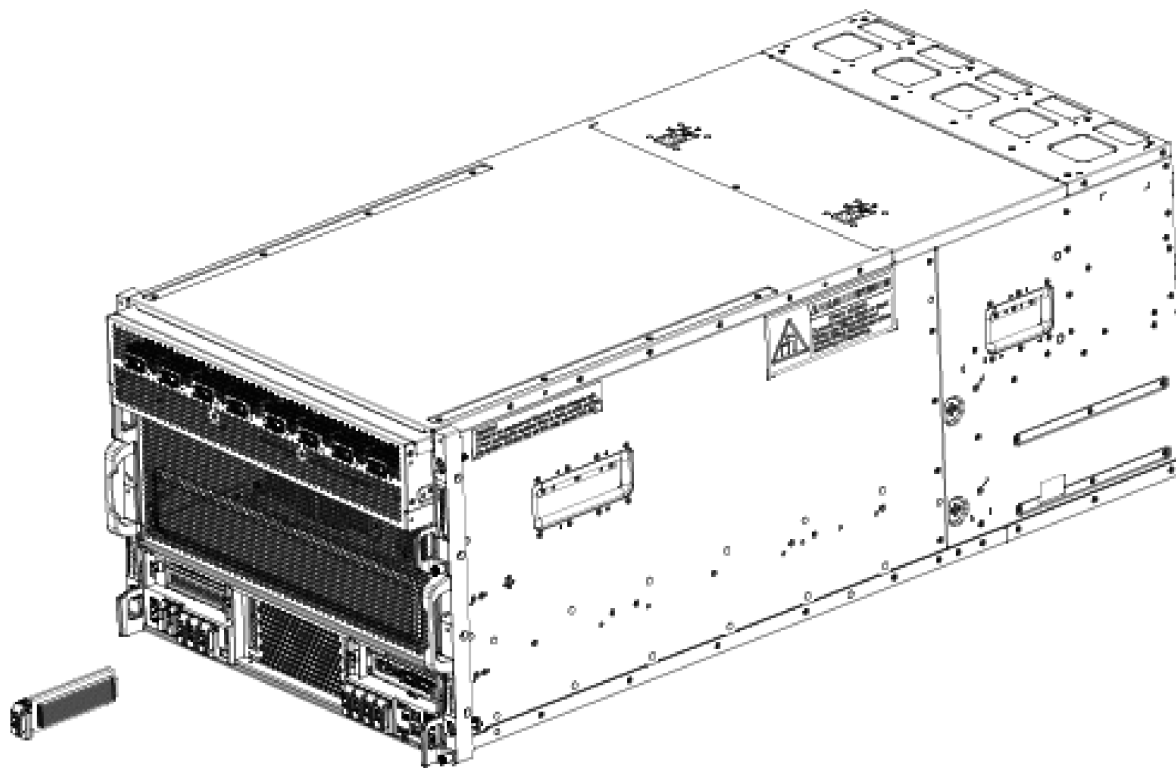


Figure 3-16. Removing a Drive Carrier

M.2 NVMe Drives

The AS -8126GS-NB3RT supports two M.2 NVMe drives. M.2 is a compact, high-performance storage drive form factor.

Removing M.2 Drives from the Chassis

1. Press the release button on the M.2 drive carrier, which will extend the handle.
2. Use the M.2 drive carrier handle to pull the carrier out of the chassis.

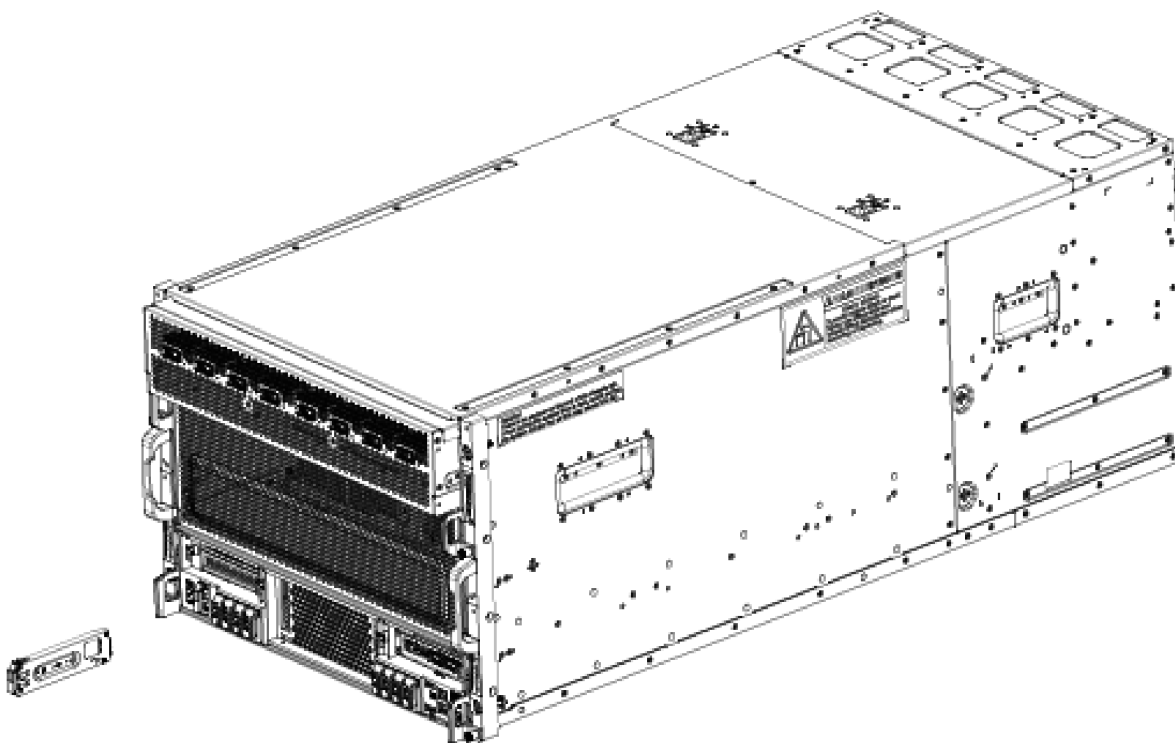


Figure 3-17. Installing M.2 Drives

Hot-Swap for NVMe Drives

Supermicro servers support NVMe surprise hot-swap. For even better data security, NVMe orderly hot-swap is recommended. NVMe drives can be ejected and replaced remotely using BMC.

Ejecting a Drive

1. **BMC > Server Health > NVMe SSD**
2. Select Device, Group, and Slot, and click **Eject**. After ejecting, the drive Status LED indicator turns green.
3. Remove the drive.

Note that Device and Group are categorized by the CPLD design architecture.

A Slot is the slot number on which the NVMe drives are mounted.

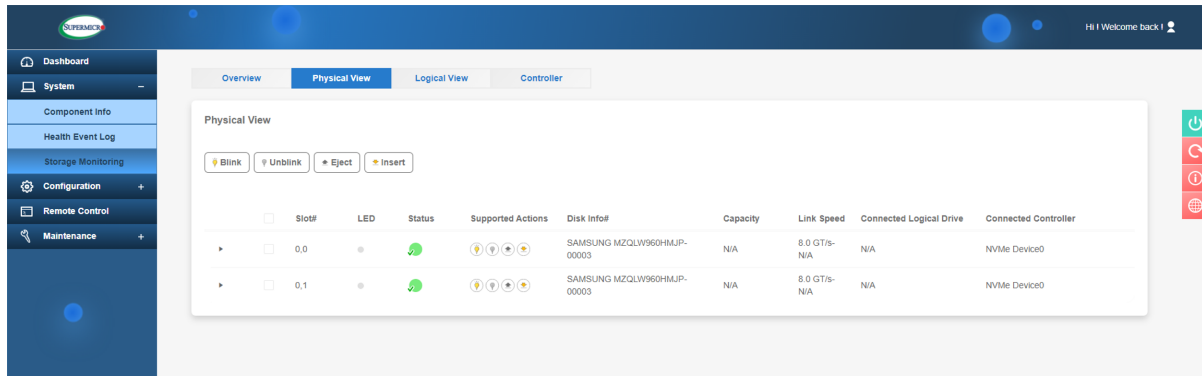


Figure 3-18. BMC Screenshot

Replacing a Drive

1. Insert the replacement drive.
2. **BMC > System > Storage Monitor > Physical View**
3. Select Device, Group, and slot and click **Insert**. The drive Status LED indicator flashes red, then turns off. The Activity LED turns blue.

3.8 System Cooling

Refer to the following sections for information about the cooling capabilities of the AS -8126GS-NB3RT server.

Fans

The AS -8126GS-NB3RT server supports 12 heavy-duty fans with optimal fan speed control.

Fan speed is controlled by a system temperature setting in the BMC. If a fan fails, the remaining fans will ramp up to full speed. The system can continue to run with a failed fan. Replace any failed fan at your earliest convenience with the same type and model. Failed fans can be identified through the BMC.

Important: Except for short periods of time, do not operate the server without the cover in place. The chassis cover must be in place to allow for proper airflow and to prevent overheating.

Changing an Internal Fan

1. Determine which fan is failing. If possible, use BMC. If not, extend the system from the chassis rack and remove the chassis cover while the power is on. Examine the fans to determine which one has failed.
2. Remove power from the system.
3. Remove the system from the rack and place the system on a workbench.
4. Remove the top cover from the system.
5. Remove the fan cable from the motherboard for the failed fan and the adjacent fan.
6. Simultaneously squeeze both release tabs on the fan to be replace. Lift the fan housing up and out of the chassis.
7. Place the replacement fan into the vacant space in the housing while making sure the arrows on the top of the fan (indicating air direction) point in the same direction as the arrows on the other fans.
8. Put the fan housing back into the chassis and reconnect the cable.
9. Power on the system to confirm that the fan is working properly before replacing the chassis cover. When you've determined the fan is working, turn off power to the system and remove the power cable.

10. Replace the top cover on the system and return the system to the rack. Reconnect the power cable.

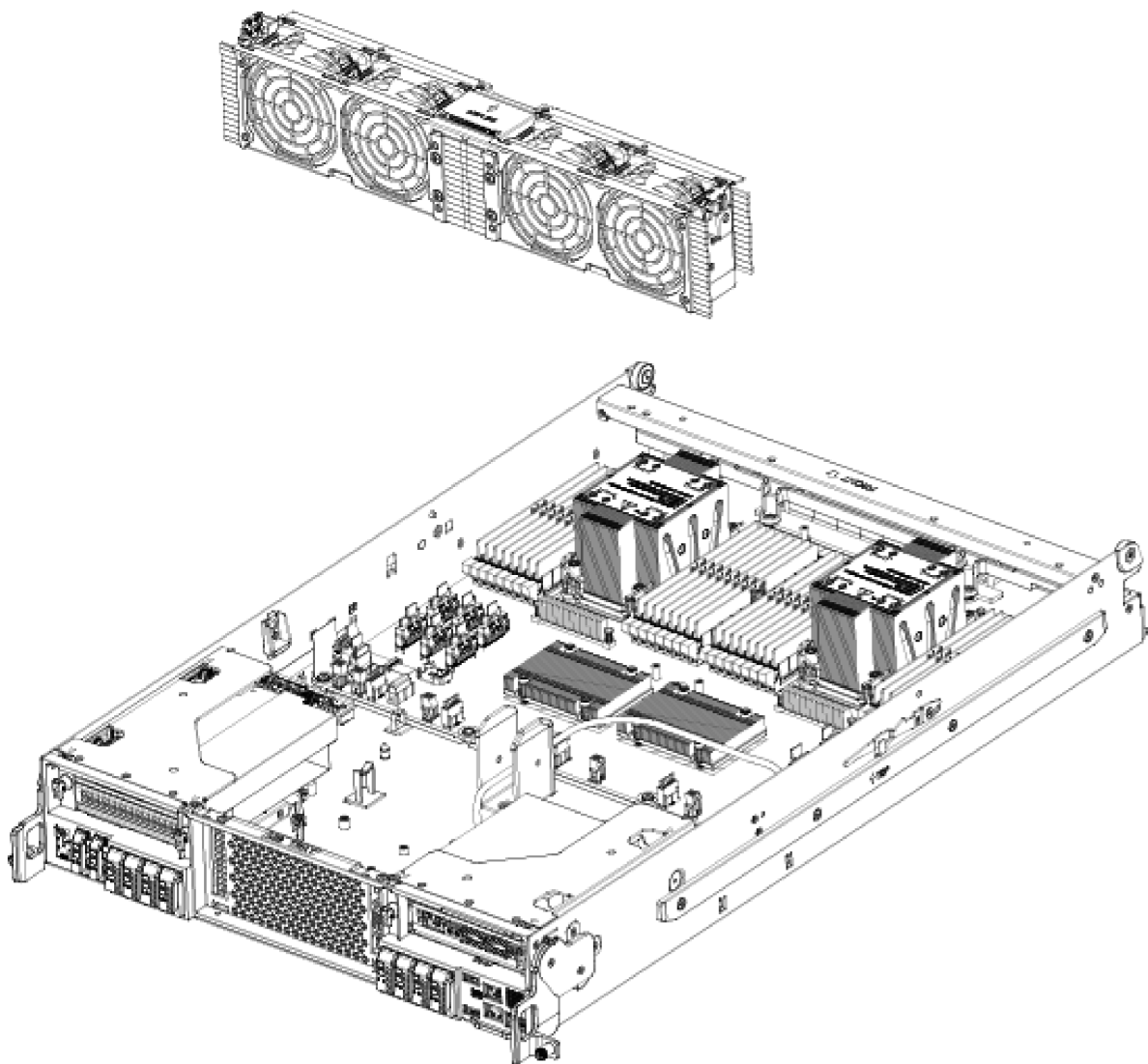


Figure 3-19. Changing an Internal Fan

Changing a Rear Fan

1. Inspect the fans to see which has stopped.
2. After determining which fan has failed, remove the system from the rack and place the system on a workbench.
3. Simultaneously squeeze both release tabs on the front of the fan to be replaced and pull the fan from the chassis.
4. Insert a new fan back into the vacated fan bay and make sure that it is fully seated.

5. Power on the system to confirm that the fan is working properly. When you've determined the fan is working, turn off power to the system and remove the power cable.
6. Return the system to the rack.
7. Reconnect the power cable to the system and resume normal operation.

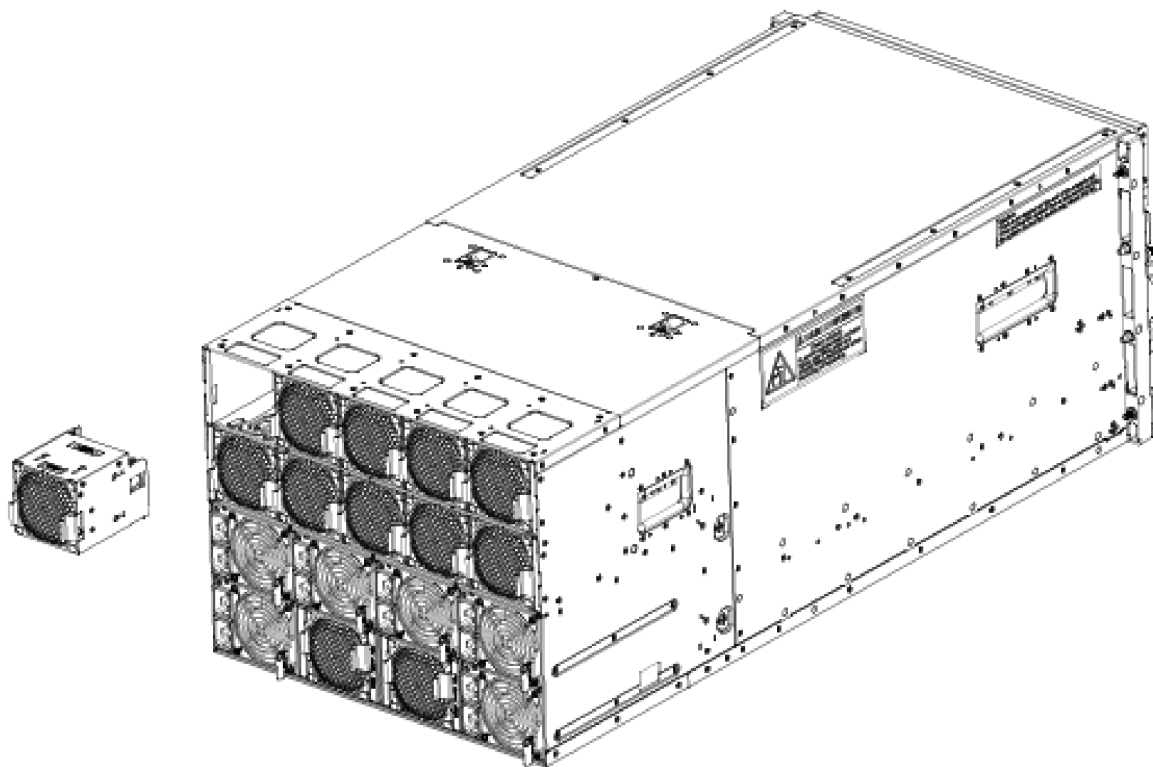


Figure 3-20. Changing a Rear Fan

Air Shrouds

Air shrouds concentrate airflow to maximize fan efficiency. The AS -8126GS-NB3RT contains one air shroud per CPU drawer.

Installing a CPU Air Shroud

1. Remove the power from the system.
2. Remove the system from the rack and place it on a bench, then remove the cover as described in ["Accessing the System" on page 40](#).
3. Remove the CPU drawer from the system.
4. Remove the top cover from the CPU drawer.

5. Ensure the motherboard, any expansion cards, and all components are installed in the CPU drawer before installing the air shroud.
6. Align the air shroud with the motherboard.
7. Install the air shroud directly onto the motherboard. There are no screws required.
8. Replace the top cover on the CPU drawer and return the drawer to the system.

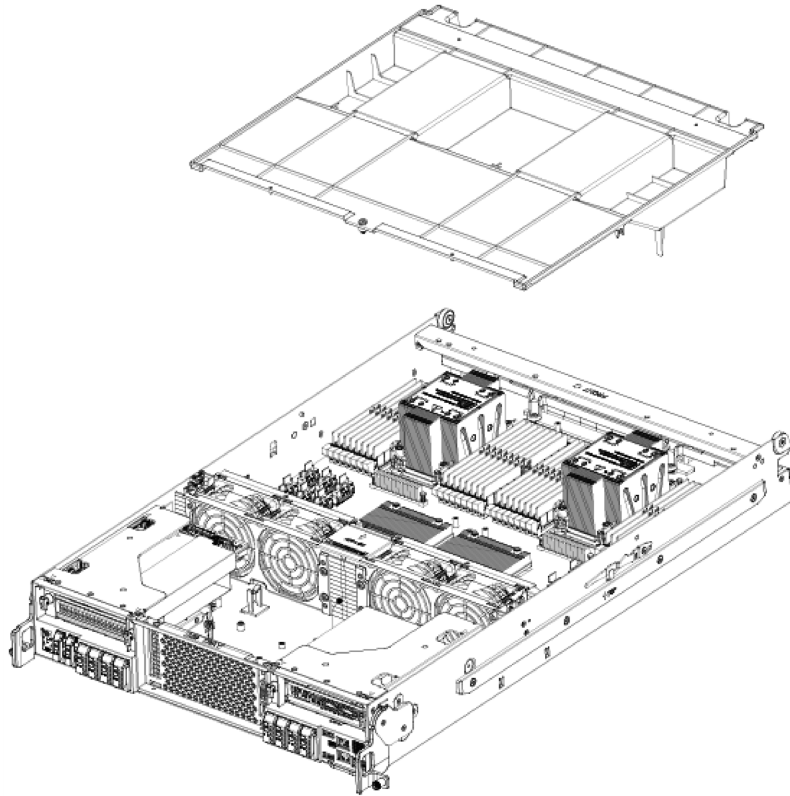


Figure 3-21. Installing a CPU Air Shroud

3.9 Expansion Cards

Refer to the following sections for information on the expansion cards supported by the AS -8126GS-NB3RT server.

PCIe Cards

The front of the AS -8126GS-NB3RT supports two PCIe 5.0 x16 full-height, half-length (FHHL) cards.

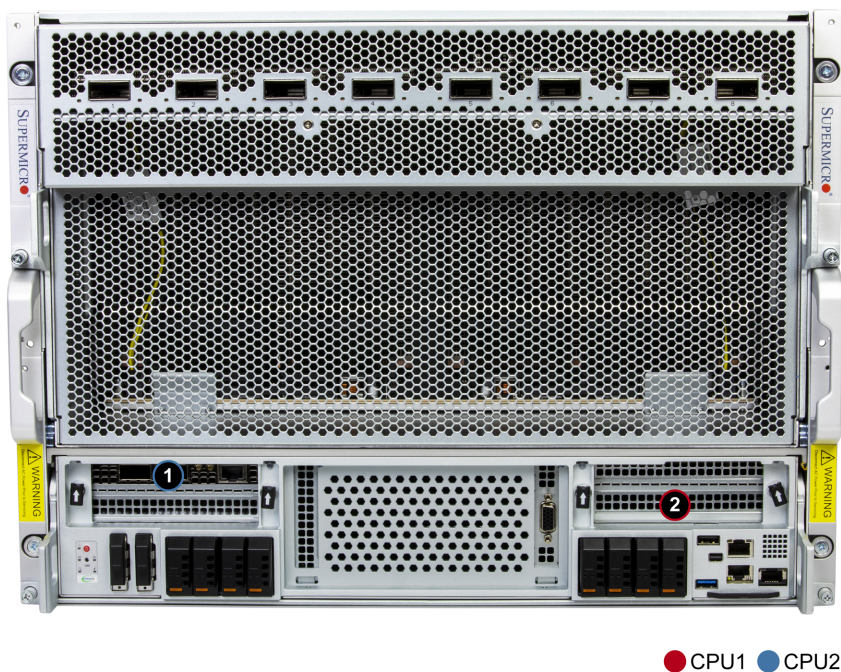


Figure 3-22. Front PCIe Slot Configuration

System Features	
Slot	Description
PCIe Slots	Two PCIe 5.0 x16 FHHL from PLX switch (N-S)

Description	Cable	Motherboard	BPN
BF3 6a, 6b	CBL-MCIO-1443M5FXGP8S1	JMCIO11 (6a) JMCIO12 (6b)	RSC-G-6G5-GP403 (6a) RSC-G-6G5-GP403 (6b)
E.1 Slot 0-1	CBL-MCIO-1474M5FHGP8S2	JMCIO4 (2a) JMCIO3 (2b)	(BP1) BPN-E1Q5-GT214N (2a) (BP1)
E.1 Slot 4-7	CBL-MCIO-1479M5FHGP8S3	JMCIO4 (5a) JMCIO3 (5b)	(BP2) (BP2)
BF3 3a, 3b	CBL-MCIO-1439M5FXGP8S4	JMCI4 (3b) JMCIO5 (3a)	RSC-G-6G5-GP403 (3b) RSC-G-6G5-GP403 (3a)
BF3 power left	CBL-PWEX-1174-60	JPWR4	BF3-B3240
Riser power right	CBL-PWEX-1131-30	JPWR13	RSC-G-6G5-GP403
M.2 RAID power	CBL-PWEX-1131-40	JPWR11	AOM-S3808NI-4NM
E1s BPN power Left	CBL-PWEX-1131-50	JPWR16	(BP1) BPN-E1Q5-GT214N
GP805 IO board power	CBL-PWEX-1093-40	JPWR_STBY2	AOM-GP805-IO
E1s BPN power Right	CBL-PWEX-1131-50	JPWR15	(BP2) BPN-E1Q5-GT214N
MBD to GP805 IO board (MCSI)	CBL-MCIO-1228M5RE	JLAN1	GP805 IO board
BP3 power Right	CBL-PWEX-1174-35	JPWR3	BF3-B3240
VGA			CBL-MCIO-1228M5RE
M.2 RAID	CBL-MCIO-1450QQM5	JPCIO-P1P4	AOM-S38008NI-4NM
Riser power left	CBL-PWEX-131-30	JPWR14	RSC-G-6G5-GP403

3.11 Power Supply

The system includes eight redundant hot-plug power supply modules. The power supply will automatically sense and operate at an input voltage between 200–240 V. Note that different input voltages will result in different maximum power output levels.

In the event of a power module failure, the other power modules will continue to power the system on its own. Failed power supply modules can be replaced without powering down the system. Replacement modules can be ordered directly from Supermicro.

Information LED	
Color, Status	Description
Red, solid	An overheat condition has occurred.
Red, blinking at 1 Hz	Fan failure; check for an inoperative fan.
Red, blinking at 0.25 Hz	Power failure; check for an inoperative power supply.
Red, solid with Power LED blinking green	Fault detected.
Blue and red, blinking at 10 Hz	Recovery mode.
Blue, solid	UID has been activated locally to locate the server in a rack environment.
Blue, blinking at 1 Hz	UID has been activated via BMC to locate the server in a rack environment.
Blue, blinking at 2 Hz	BMC is resetting.
Blue, blinking at 4 Hz	BMC is setting factory defaults.
Blue, blinking at 10 Hz with Power LED blinking green	BMC/BIOS firmware is updating.

Replacing a Power Supply

1. Unplug the AC power cord from the failed power supply module.
2. Push and hold the release tab on the back of the power supply.
3. Grasp the handle of the power supply and pull it out of its bay.
4. Push the new power supply module into the power bay until it clicks into the locked position.
5. Plug the AC power cord back into the power supply module.

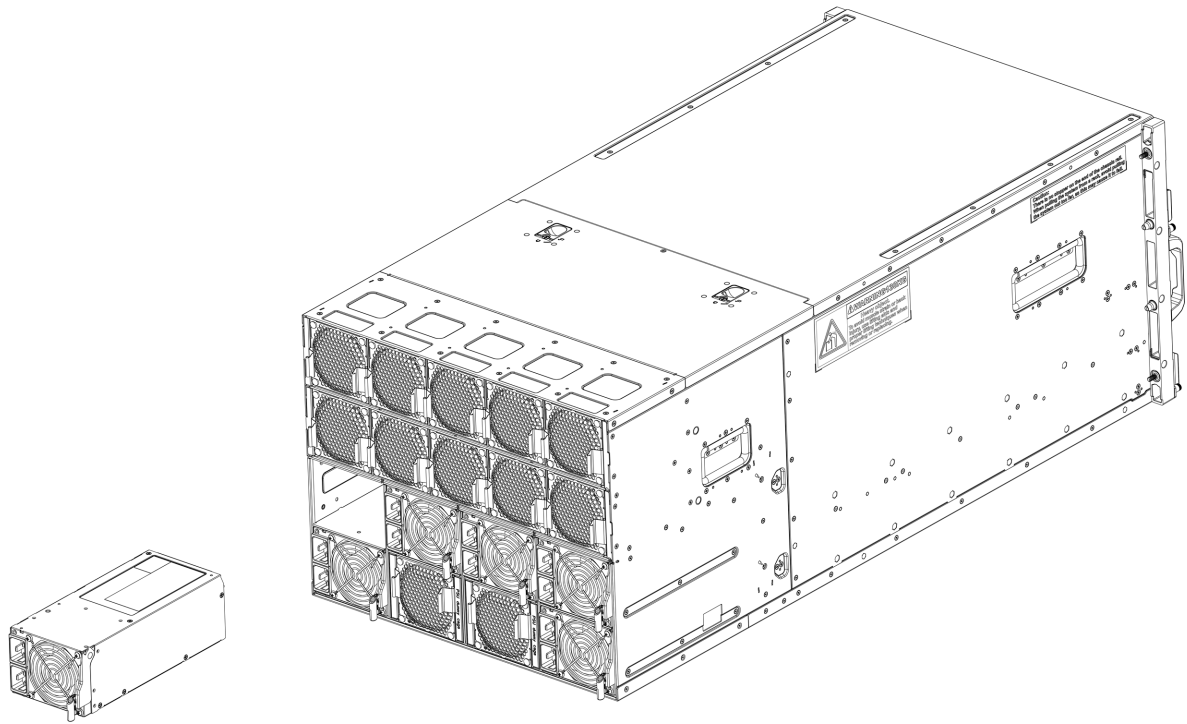


Figure 3-24. Replacing a Power Supply

Chapter 4:

Motherboard Connections, Jumpers, and LEDs

This section describes the connections on the motherboard and provides pinout definitions. Note that depending on how the system is configured, not all connections are required. The LEDs on the motherboard are also described here. A motherboard layout indicating component locations may be found in the ["Introduction" on page 12](#). More detail can be found in the H14DSG-OM motherboard manual.

Review the ["Standardized Warning Statements for AC Systems" on page 146](#) before installing or removing components.

4.1 Power Supply and Power Connections	70
Power Supply Connections	70
Power Supply Connectors	70
Backplane and BlueField-3 Card 12 V 8-Pin Power Connectors	70
E1.S Backplane, M.2 Module, BlueField-3 Risers, and Power Slot Connectors with 12 V 4-Pin Power Inputs	70
4.2 Headers and Connections	72
Fan Headers (FAN0 to FAN3)	72
TPM/Port 80 Header	72
Liquid Cooling Leak Detection Connector	73
MCIO M.2 NVMe Connector	73
Midplane NIC Card Carrier Board Connectors	73
4.3 Front/Rear I/O Module Connectors	74
I/O Module Connector	74
4.4 Jumper Settings	75
CMOS Clear	75
JPG1	76
JUID1	76
4.5 LED Indicators	77
Onboard Power LED (LED1)	77
RoT Status LED (LED2)	77
BMC Heartbeat LED (LED3)	77

4.1 Power Supply and Power Connections

For information about the power supply and power connections of the AS -8126GS-NB3RT server, refer to the following content.

Power Supply Connections

As with all computer products, a stable power source is necessary for proper and reliable operation. It is even more important for processors that have high CPU clock rates where noisy power transmission is present.

Power Supply Connectors

The H14DSG-OM motherboard has four PowerMAX power input connectors: JSW_PWR1, JSW_PWR2, JSW_PWR3, and JSW_PWR4 for 12 VDC power input via the midplane.

Backplane and BlueField-3 Card 12 V 8-Pin Power Connectors

JPWR3, JPWR4, and JPWR5 are 8-pin 12 VDC power inputs. JPWR3 and JPWR4 are for the system's left and right BlueField-3 cards. JPWR5 is not in use. Refer to the table below for pin definitions.

8-pin Power Connectors			
Pin Definitions			
Pin#	Definition	Pin#	Definition
1	GND	5	+12 V
2	GND	6	+12 V
3	GND	7	+12 V
4	GND	8	+12 V

E1.S Backplane, M.2 Module, BlueField-3 Risers, and Power Slot Connectors with 12 V 4-Pin Power Inputs

JPWR11, JPWR12, JPWR13, JPWR14, JPWR15, JPWR16, and JPWR17 are 4-pin 12 VDC power inputs. JPWR11 powers the system's left BlueField-3 riser. JPWR12 powers the system's E1.S backplane. JPWR13 powers the system's M.2 module. JPWR14 powers the system's E1.S backplane. JPWR15 powers the system's right BlueField-3 riser. JPWR16 powers the system's Slot3 power connector. JPWR17 powers the system's Slot4 power connector. Refer to the table below for pin definitions.

4-pin Power Connectors	
Pin Definitions	
Pin#	Definition
1	GND
2	GND
3	12 V
4	12 V

4.2 Headers and Connections

For information about the headers on the H14DSG-OM motherboard, refer to the following content.

Fan Headers (FAN0 to FAN3)

There are four fan headers (FAN0 to FAN3) on the motherboard. These 6-pin fan headers are backward compatible with traditional 3-pin fans. Onboard fan speeds are controlled by Fan Mode in the BMC. When using Fan Mode, all fans must be 6-pin compatible.

Fan Header Pin Definitions	
Pin	Definition
1	Ground (Black)
2	+12 V (Red)
3	Tachometer (Yellow)
4	PWM control (Blue)
5	12 V
6	Ground

TPM/Port 80 Header

The JTPM1 header on the H14DSG-OM motherboard is used to connect a Trusted Platform Module (TPM)/Port 80, which is available from Supermicro (optional). A TPM/Port 80 connector is a security device that supports encryption and authentication in storage drives. It allows the motherboard to deny access if the TPM associated with the storage drive is not installed in the system. Information on the TPM is available at the following page:

https://www.supermicro.com/manuals/other/AOM-TPM-9670V_9670H_X12_H12.pdf

For a detailed diagram of the H14DSG-OM motherboard, see the layout under "[Motherboard Quick Reference](#)" on page 23.

Trusted Platform Module Header			
Pin Definitions: 10 Total			
Pin#	Definition	Pin#	Definition
1	+3.3 V	2	SPI_CS#
3	RESET#	4	SPI_MISO
5	SPI_CLK	6	Ground
7	SPI_MOSI	8	No Connection
9	+1.8 V Standby	10	SPI_IRQ#

Liquid Cooling Leak Detection Connector

Five liquid cooling leak detection connectors are located at JLC0 through JLC4 on the motherboard. JLC0 and JLC4 are backup leak detection connectors, JLC1 is for leak detection on DIMMs, JLC2 is for leak detection around the CPUs, and JLC3 is for leak detection on the PLX switches. Connect the appropriate cable from the chassis to receive notifications when a leak is detected. Refer to the table below for pin definitions.

Leak Detection Connector (JLC0-4)	
Pin Definitions	
Pin#	Definition
1	Vsen+
2	Vsen-

MCIO M.2 NVMe Connector

The motherboard features a single MCIO x4 connector (JMCIO_P1P4), which is supported by CPU2. This connector supports a PCIe 3.0 x4 connection and is used for the M.2 module (AOC-SMG4-2M2 or AOM-S3808NI-4NM).

Midplane NIC Card Carrier Board Connectors

There are eight ExaMax connectors (JSW_1 to JSW_8) on the motherboard to connect to the midplane for the GPU system. In addition, there are six PCIe 5.0 ExaMax connectors (JNIC1 to JNIC6) to connect to the NIC card carrier board, which supports eight PCIe 5.0 x16 connections.

4.3 Front/Rear I/O Module Connectors

I/O Module Connector

One connector on the motherboard provides I/O module connections.

- Front access: The connector located at JFP1 provides connection to an I/O module. It supports one UID switch and one UID LED indicator. USB 3.0, USB 2.0, and a Mini Display Port are supported with the JFP2 connector. VGA is supported with the JVGA1 connector.

4.4 Jumper Settings

To modify the operation of the motherboard, jumpers can be used to choose between optional settings. Jumpers create shorts between two pins to change the function of the connector. Pin 1 is identified with a square solder pad on the printed circuit board. See the diagram below for an example of jumping pins 1 and 2. Refer to the motherboard layout page for jumper locations.

Note: On two-pin jumpers, "Closed" means the jumper is on and "Open" means the jumper is off the pins.

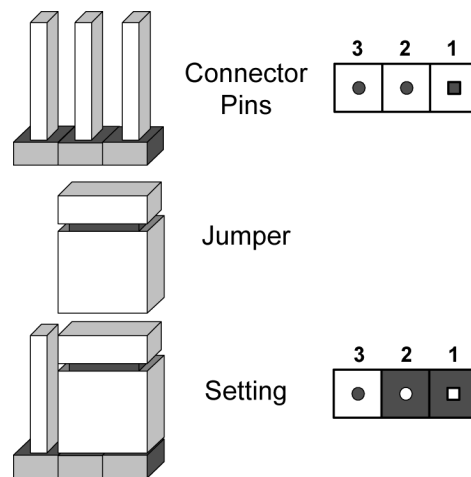


Figure 4-1. Jumping Connector Pins

CMOS Clear

JBT1 on the H14DSG-OM motherboard is used to clear CMOS, which will also clear any passwords. Instead of pins, this jumper consists of contact pads to prevent accidentally clearing the contents of CMOS.

For a detailed diagram of the H14DSG-OM motherboard, see the layout under "[Motherboard Quick Reference](#)" on page 23.



1. First power down the system and unplug the power cord(s).
2. Remove the cover of the chassis to access the motherboard.
3. Remove the onboard battery from the motherboard.

4. Short the CMOS pads, JBT1, with a metal object such as a small screwdriver for at least four seconds.

Note: Clearing CMOS will also clear all passwords.

5. Remove the screwdriver (or shorting device).
6. Replace the cover, reconnect the power cord(s), and power on the system.

JPG1

JPG1 enables or disables the VGA connector. The default setting is enabled.

JPG1	
Jumper Position	Definition
Pins 1-2	Enabled
Pins 2-3	Disabled

JUID1

JUID1 is used for a chassis that supports a front UID button. When JUID1 is set to pins 2-3, the front UID button functions as a reset button.

JUID1	
Jumper Position	Definition
Pins 1-2	Switch function (UID)
Pins 2-3	Reset

4.5 LED Indicators

For information about the LED indicators on the AS -8126GS-NB3RT server, refer to the following content.

Onboard Power LED (LED1)

The Onboard Power LED is located at LED1 on the H14DSG-OM motherboard. When this LED is on, the system is on. Be sure to turn off the system and unplug the power cord before removing or installing components.

For a detailed diagram of the H14DSG-OM motherboard, see the layout under "[Motherboard Quick Reference](#)" on page 23.

Onboard Power LED Indicator	
LED Color	Definition
Off	System Power Off (power cable not connected)
Green	System Power On

RoT Status LED (LED2)

A RoT (Root-of-Trust) status LED is located at LED2 on the H14DSG-OM motherboard. When this LED is lit, it means the RoT check has failed. See the table below for more information.

RoT Status	
LED Color	Definition
Off	Normal
Red	Off

BMC Heartbeat LED (LED3)

A BMC Heartbeat LED is located at LED3 on the H14DSG-OM motherboard. When this LED is blinking, the BMC is functioning normally.

For a detailed diagram of the H14DSG-OM motherboard, see the layout under "[Motherboard Quick Reference](#)" on page 23.

BMC Heartbeat LED Indicator	
LED Color	Definition
Solid On	BMC is not ready

BMC Heartbeat LED Indicator	
LED Color	Definition
Blinking	BMC Normal
Fast Blinking	BMC: Initializing

Chapter 5:

Software

After the AS -8126GS-NB3RT server has been installed, you can install the Operating System (OS), configure RAID settings, and install the drivers.

5.1 Microsoft Windows OS Installation	80
Installing the OS	80
5.2 Driver Installation	82
5.3 BMC	84
BMC ADMIN User Password	84

5.1 Microsoft Windows OS Installation

If you will be using RAID, you must configure RAID settings before installing the Windows OS and the RAID driver. Refer to the RAID Configuration User Guides posted on our website at <https://www.supermicro.com/support/manuals>.

Installing the OS

1. Create a method to access the Microsoft Windows installation ISO file. That can be a USB flash or media drive, or the BMC KVM console.
2. Retrieve the proper drivers. Go to the Supermicro web page for your motherboard and click on "Download the Latest Drivers and Utilities," select the proper driver, and copy it to a USB flash drive.
3. Boot from a bootable device with Windows OS installation. You can see a bootable device list by pressing <F11> during the system bootup.

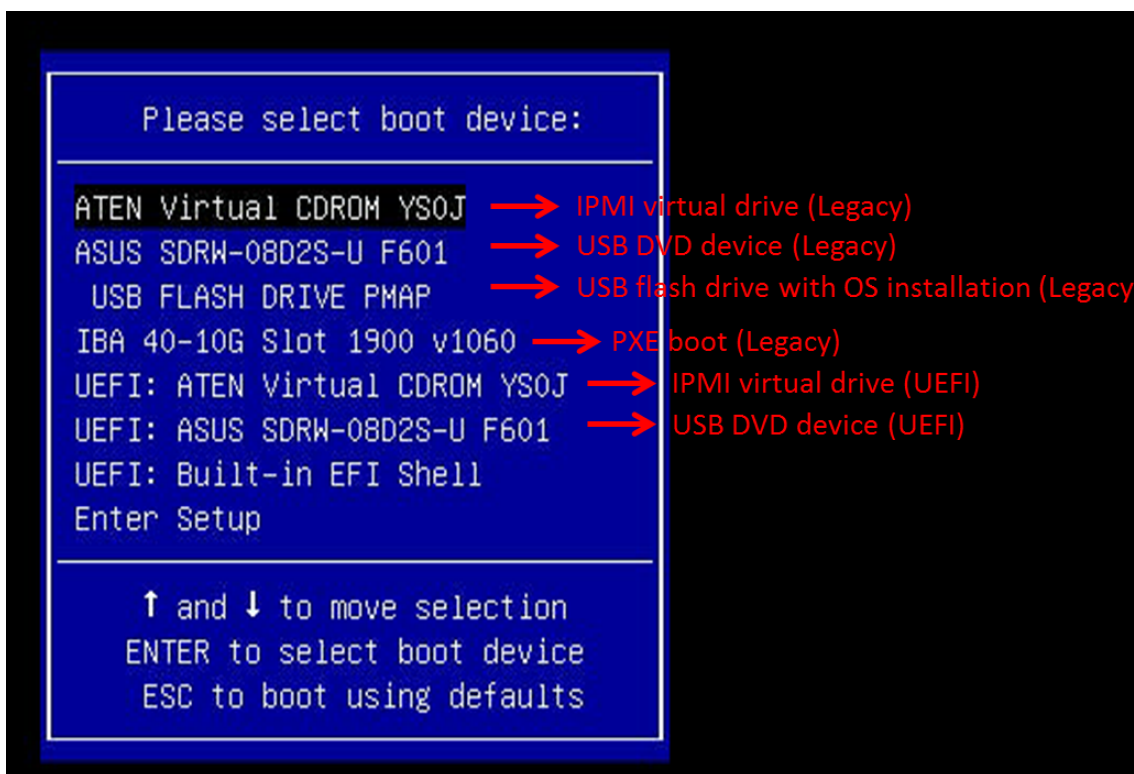


Figure 5-1. Selecting the Boot Device

4. During Windows Setup, continue to the dialog box where you select the drives on which to install Windows. If the disk you want to use is not listed, click on the "Load driver" link at the bottom left corner.

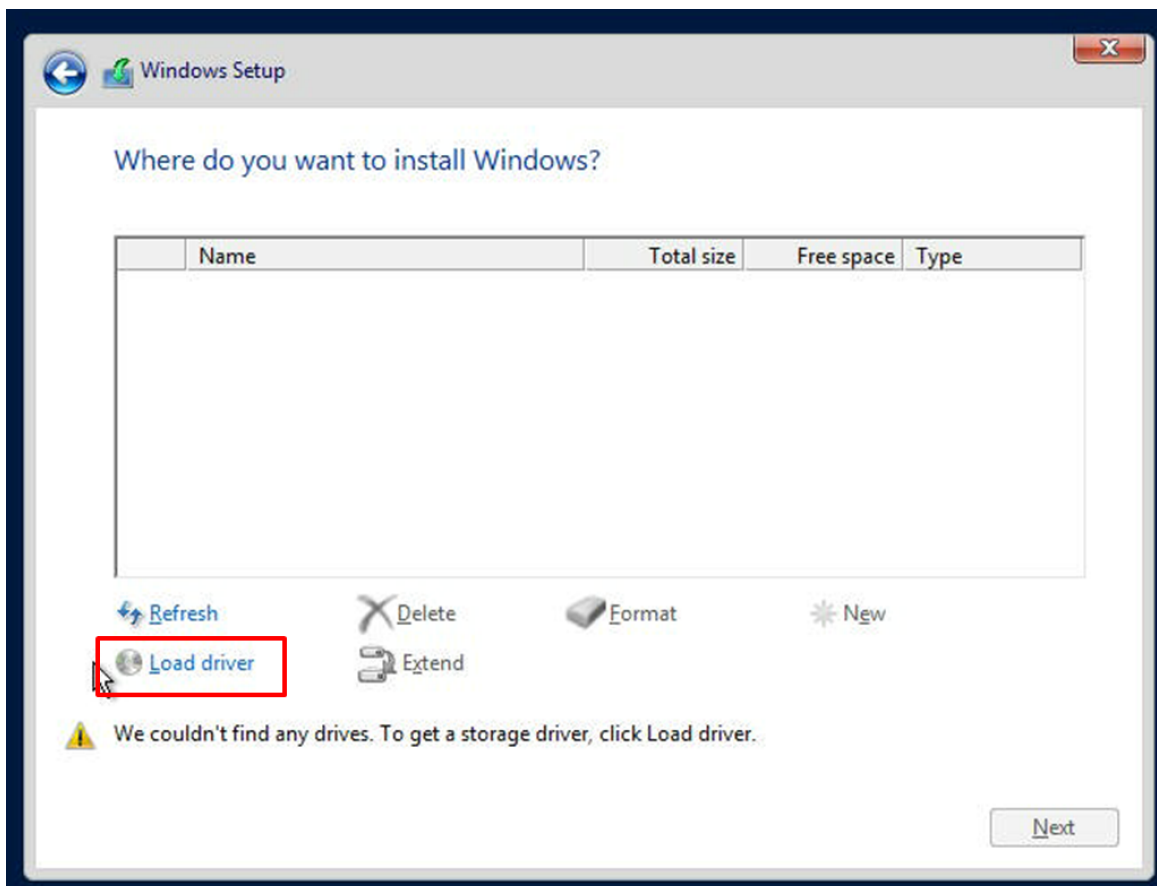


Figure 5-2. Loading the Driver Link

To load the driver, browse the USB flash drive for the proper driver files.

5. Once all devices are specified, continue with the installation.
6. After the Windows OS installation has completed, the system will automatically reboot multiple times for system updates.

5.2 Driver Installation

The Supermicro website contains drivers and utilities for your system at the following page:

<https://www.supermicro.com/wdl>.

Some of these drivers and utilities must be installed, such as the chipset driver. After accessing the website, go into the CDR_Images (in the parent directory of the above link) and locate the ISO file for your motherboard. Download this file to a USB flash or media drive. You may also use a utility to extract the ISO file if preferred.

Another option is to go to the Supermicro website at <https://www.supermicro.com>. Find the product page for your motherboard and download the latest drivers and utilities. Insert the flash drive or disk, and the screenshot shown below should appear.

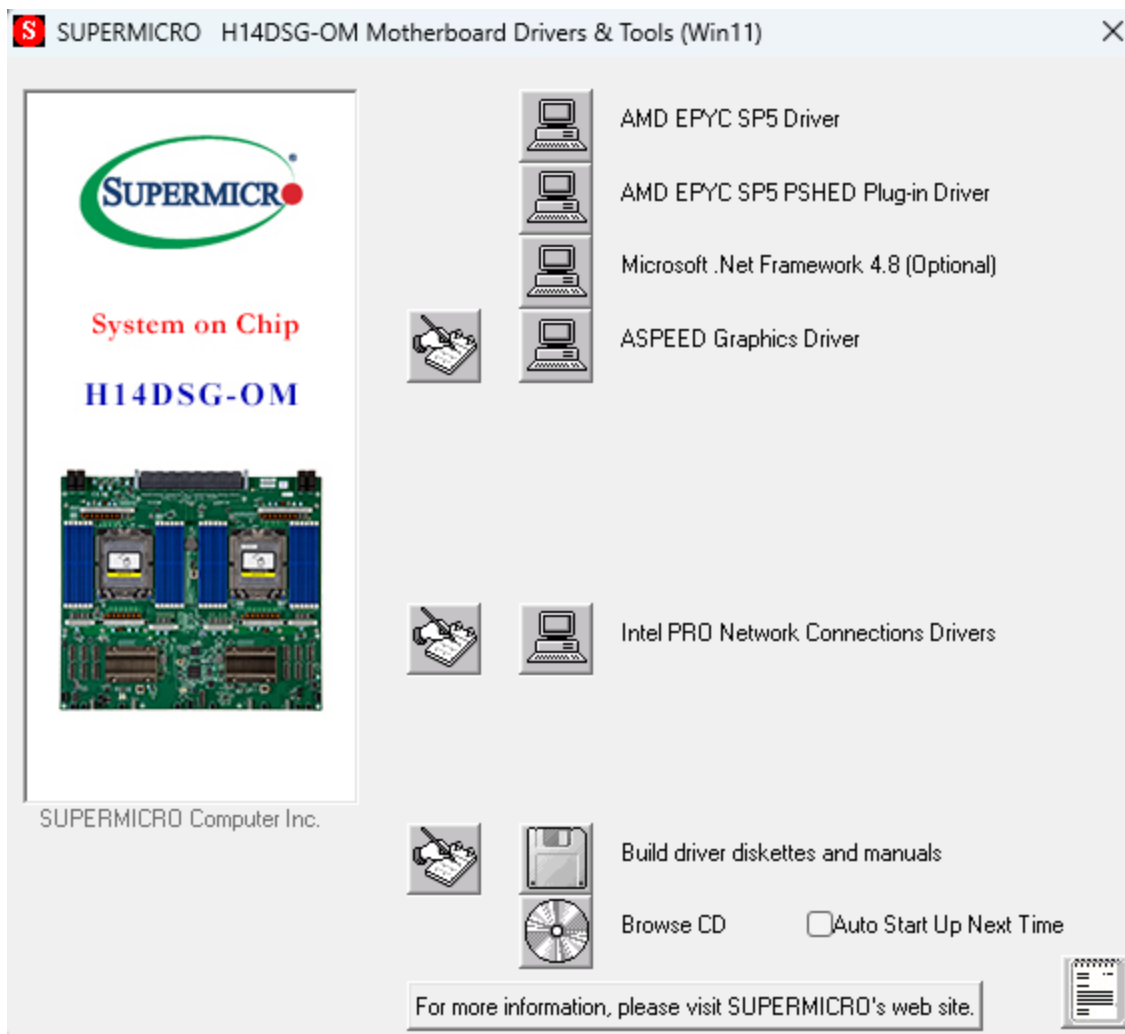


Figure 5-3. Driver & Tools Installation Screen

Note: Click the icons showing a hand writing on paper to view the readme files for each item. Click the computer icons to the right of these items to install each item (from top to bottom) one at a time. After installing each item, you must reboot the system before moving on to the next item on the list. The bottom icon with a CD on it allows you to view the entire contents.

5.3 BMC

The H14DSG-OM motherboard provides remote access, monitoring, and management through the baseboard management controller (BMC) and other management controllers distributed among different system modules. There are several BIOS settings that are related to BMC. For general documentation and information on BMC, visit our website at the following page:

<https://www.supermicro.com/en/solutions/management-software/bmc-resources>

BMC ADMIN User Password

For security, each system is assigned a unique default BMC password for the ADMIN user. The password can be found on a sticker on the motherboard and a sticker on the chassis, for Supermicro chassis. The sticker also displays the BMC MAC address. If necessary, the password can be reset using the Supermicro IPMICFG tool.

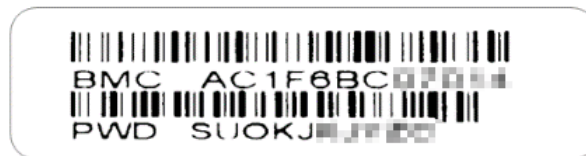


Figure 5-4. BMC Password Label

Chapter 6:

Optional Components

This chapter describes alternate configurations and optional system components for the AS - 8126GS-NB3RT server.

6.1 TPM Security Module	86
6.2 HBA Card	87
6.3 RAID Cards	88
6.4 Cable Management Arm	89
Installing the Cable Management Arm	89
Removing the Cable Management Arm	90

6.1 TPM Security Module

This is an SPI-capable TPM 2.0 with Infineon 9672 controller.

The JTPM1 header is used to connect a Trusted Platform Module (TPM). A TPM is a security device that supports encryption and authentication in hard drives. It enables the H14DSG-OM motherboard to deny access if the TPM associated with the hard drive is not installed in the AS -8126GS-NB3RT server.

For details and installation procedures, refer to the following page:

<https://www.supermicro.com/en/products/accessories/addon/AOM-TPM-9672V.php>

- AOM-TPM-9672V (TCG 2.0)

6.2 HBA Card

This is a 12 Gb/s, multi-port SAS PCIe Gen 4.0 internal Host Bus Adapter (HBA) card.

The Supermicro HBA AOC-S3816L-L16iT features 16 internal SAS connectors, while the AOC-S3808L-L8iT features eight internal SAS connectors. Both are designed for high-performance storage connectivity.

These cards use Broadcom's 3816 and 3808 I/O processors for optimum performance with PCI Express Gen 4.0 host interface for increased bandwidth.

Each Add-On-Card supports up to 122 devices as HBA in IT mode via the expander backplane.

6.3 RAID Cards

These are Super Micro Computer, Inc. 12 Gb/s, multi-port PCIe Gen 4.0 RAID adapter cards.

The low-profile AOC-S3908L-H8iR RAID card features eight internal SAS connectors and the AOC-S3916L-H16iR features 16 internal SAS connectors. Both offer high-performance storage connectivity. These RAID cards are built on the Broadcom SAS IC technology and MegaRAID technology to address the growing demand for increased data throughput and scalability requirements across the enterprise-class server platforms.

With high-performance RAID architecture, including hardware RAID 5 and 6, these RAID controller cards support high capacity storage applications. They deliver cost-effective storage solutions using SATA drives and maximum performance and reliability with SAS drives. Using expander backplanes, they support up to 16, 32, and 240 drives (depending on SKU) with RAID 0, 1, 5, 6, 10, 50, and 60.

6.4 Cable Management Arm

The AS -8126GS-NB3RT server supports a cable management arm (CMA), which keeps the rear cables organized and clear of the rail mechanisms when the system is extended out the front of the rack for maintenance.

The CMA attaches to the rack mounting rails using four connectors. They are labeled as connectors 1, 2, 3, and 4.

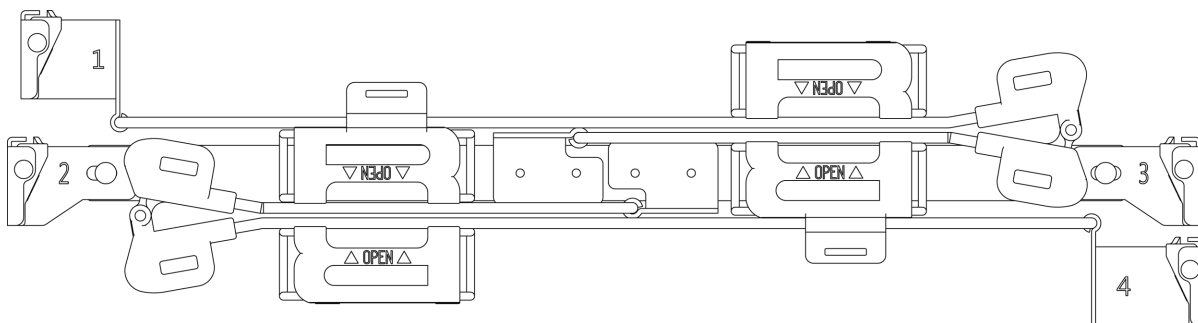


Figure 6-1. Cable Management Arm

Cable Arm Details		
Optional Part	Part Number	Description
Cable Arm	MCP-290-00168-0N	7.5" deep cable arm
Rail Set	MCP-290-11901-0N	41.2" rails (optimized for 1200-mm deep racks)

Installing the Cable Management Arm

1. Slide CMA connector #1 forward onto the two posts on the rear of the right inner rail (right side when viewed from the front). It snaps into place.
2. Slide CMA connector #2 forward onto the two posts on the rear of the right middle rail. It snaps into place.

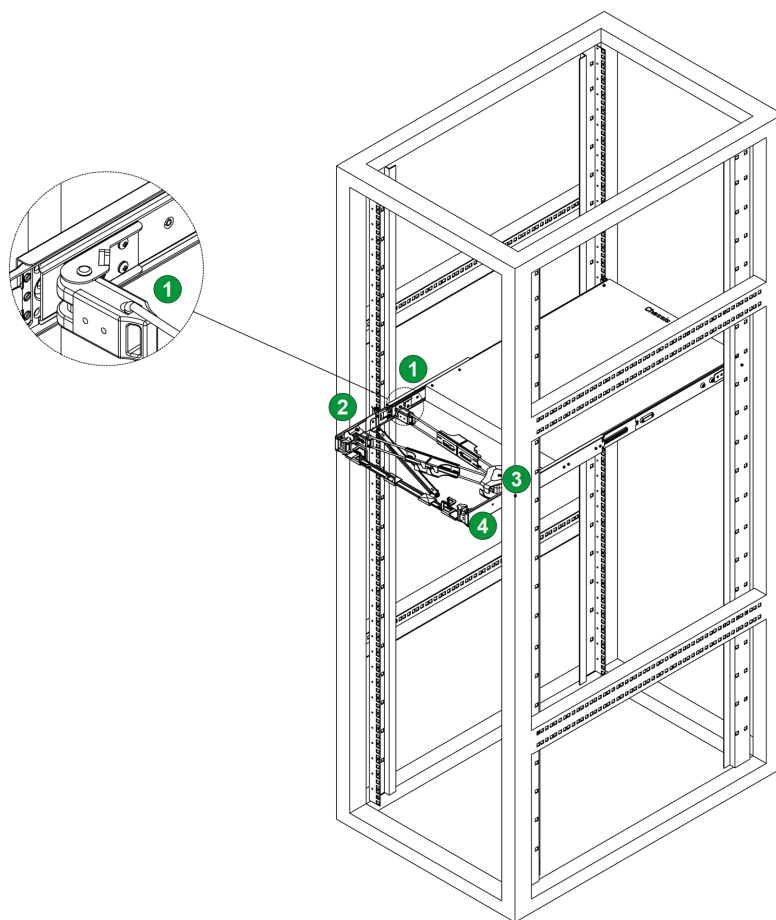


Figure 6-2. Installing the Connectors

3. Slide CMA connector #3 forward onto the two posts on the rear of the left middle rail. It snaps into place.
4. For CMA connector #4, align the metal tabs with the slots on the rear of the left outer rail and push it forward. It snaps into place.
5. Route the cables through the holding brackets, leaving enough slack.

Removing the Cable Management Arm

1. Remove cables from the CMA.
2. For CMA connector #4, pull the metal release tab toward the center of the rack and slide the connector toward the rear to release it.
3. For CMA connectors #3, #2, and #1, depress the front edge of the yellow plastic rocker lock and slide the connector toward the rear to release it.

Chapter 7:

Troubleshooting and Support

The following content contains information on common issues and how to resolve them.

7.1 Online Resources	92
Direct Links for the SuperServer AS -8126GS-NB3RT System	92
Direct Links for General Support and Information	92
7.2 Baseboard Management Controller (BMC)	93
7.3 Troubleshooting Procedures	94
Before Power On	94
No Power	94
No Video	94
System Boot Failure	94
Memory Errors	95
Losing the System's Setup Configuration	95
If the System Becomes Unstable	95
7.4 CMOS Clear	97
7.5 Motherboard Battery	98
7.6 Where to Get Replacement Components	99
7.7 Technical Support Procedures	100
Returning Merchandise for Service	100
7.8 Feedback	102

7.1 Online Resources

A great deal of information is available on the Supermicro website. From the top menu of the Supermicro home page at <https://www.supermicro.com>:

- Specifications for servers and other hardware are available by clicking **Products**.
- The **Support** option offers downloads (manuals, BIOS/BMC, drivers, etc.), FAQs, RMA, warranty, and other service extensions.

Direct Links for the SuperServer AS -8126GS-NB3RT System

[AS -8126GS-NB3RT](#) specifications page

[H14DSG-OM](#) motherboard page for links to the Quick Reference Guide, User Manual, validated storage drives, etc.

Direct Links for General Support and Information

- Frequently Asked Questions: <https://www.supermicro.com/FAQ/index.php>
- TPM User Guide: https://www.supermicro.com/manuals/other/AOM-TPM-9670V_9670H_X12_H12.pdf
- Product Resources page for validated memory details: <https://www.supermicro.com/support/resources/mem.cfm>
- Product Matrices page for links to tables summarizing specs for systems, motherboards, power supplies, riser cards, add-on cards, and more: <https://www.supermicro.com/en/support/product-matrices>
- Security Center for recent security notices: https://www.supermicro.com/en/support/security_center
- Supermicro Phone and Addresses: <https://www.supermicro.com/en/about/contact>

7.2 Baseboard Management Controller (BMC)

The AS -8126GS-NB3RT server supports the Baseboard Management Controller (BMC). BMC is used to provide remote access, monitoring, and management. There are several BIOS settings that are related to BMC.

For general documentation and information on BMC, visit our website at the following page:

<https://www.supermicro.com/en/solutions/management-software/bmc-resources>

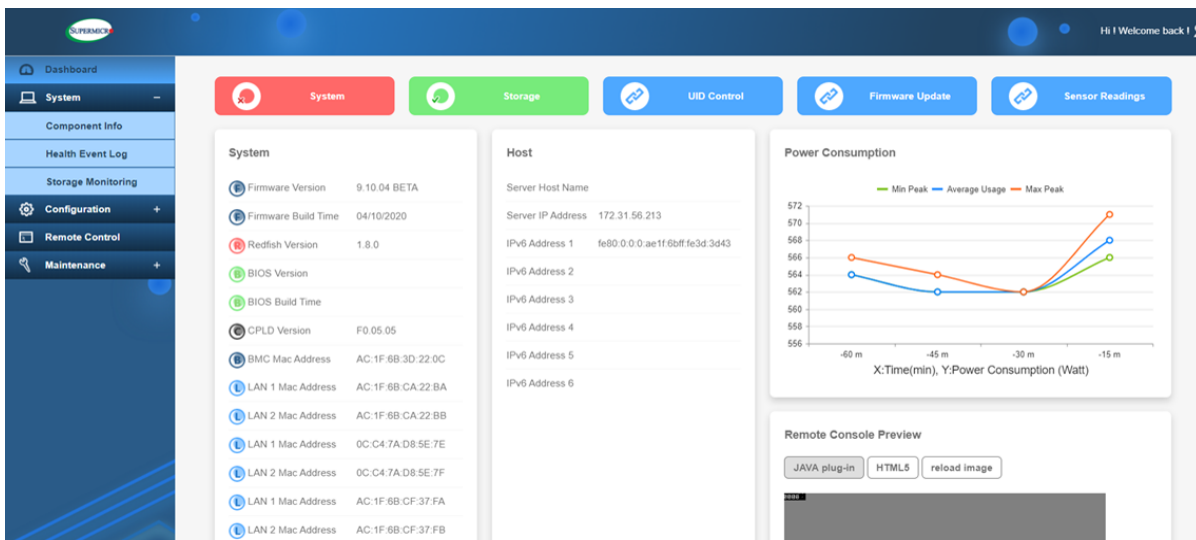


Figure 7-1. BMC Dashboard

7.3 Troubleshooting Procedures

Use the following procedures to troubleshoot your system. If you have followed all of the procedures below and still need assistance, refer to the ["Technical Support Procedures" on page 100](#) section in this chapter. Always disconnect the AC power cord before adding, changing or installing any non hot-swap hardware components. If the below steps do not fix the setup configuration problem, contact your vendor for repairs.

Before Power On

1. Make sure that there are no short circuits between the motherboard and chassis.
2. Disconnect all ribbon/wire cables from the motherboard, including those for the keyboard and mouse.
3. Remove all add-on cards.
4. Install the processor (making sure it is fully seated) and connect the front panel connectors to the motherboard.

No Power

1. Make sure that there are no short circuits between the motherboard and the chassis.
2. The battery on your motherboard may be old. Check to verify that it still supplies approximately 3 VDC. If it does not, replace it with a new one.

No Video

1. If the power is on, but you do not have video, remove all add-on cards and cables.
2. Remove all memory modules and turn on the system (if the alarm is on, check the specs of memory modules, reset the memory, or try a different one).

System Boot Failure

If the system does not display Power-On-Self-Test (POST) or does not respond after the power is turned on, do the following:

1. Remove all components from the motherboard, especially the DIMMs. Power on the system and check if the power-on LED and the BMC Heartbeat LED are on, and system fans are spinning.

2. Turn on the system with only one DIMM installed. If the system boots, check for bad DIMMs or slots by following the Memory Errors Troubleshooting procedure in this chapter.

Memory Errors

When suspecting faulty memory is causing the system issue, check the following:

1. Make sure that the memory modules are compatible with the system and are properly installed. See "[Maintenance and Component Installation](#)" on [page 37](#) for installation instructions. (For memory compatibility, refer to the "Tested Memory List" link on the motherboard's product page to see a list of supported memory.)
2. Check if different speeds of DIMMs have been installed. It is strongly recommended that you use the same RAM type and speed for all DIMMs in the system.
3. Make sure that you are using the correct type of DIMMs recommended by the manufacturer.
4. Check for bad DIMMs or slots by swapping a single module among all memory slots and check the results.

Losing the System's Setup Configuration

1. Make sure that you are using a high-quality power supply. A poor-quality power supply may cause the system to lose the CMOS setup information. Refer to "[Introduction](#)" on [page 12](#) for details on recommended power supplies.
2. The battery on your motherboard may be old. Check to verify that it still supplies approximately 3 VDC. If it does not, replace it with a new one.

If the System Becomes Unstable

If the system becomes unstable during or after OS installation, check the following:

1. Processor/BIOS support: Make sure that your processor is supported and that you have the latest BIOS installed in your system.
2. Memory support: Make sure that the memory modules are supported. Refer to the product page on our website at <https://www.supermicro.com>. Test the modules using memtest86 or a similar utility.

Note: Click on the "Tested Memory List" link on the motherboard's product page to see a list of supported memory.

3. Storage Drive support: Make sure that all storage drives work properly. Replace the failed storage drives with good ones.
4. System cooling: Check the system cooling to make sure that all heatsink fans and processor/system fans, etc., work properly. Check the hardware monitoring settings in the BMC to make sure that the processor and system temperatures are within the normal range. Also, check the front panel Overheat LED and make sure that it is not on.
5. Adequate power supply: Make sure that the power supply provides adequate power to the system. Make sure that all power connectors are connected. Refer to our website for more information on the minimum power requirements.
6. Proper software support: Make sure that the correct drivers are used.

If the system becomes unstable before or during OS installation, check the following:

1. Source of installation: Make sure that the devices used for installation are working properly, including boot devices such as a CD/Media drive.
2. Cable connection: Check to make sure that all cables are connected and working properly.
3. Use the minimum configuration for troubleshooting: Remove all unnecessary components (starting with add-on cards first), and use the minimum configuration (but with the processor and a memory module installed) to identify the trouble areas. Refer to the steps listed above in this section for proper troubleshooting procedures.
4. Identify bad components by isolating them: If necessary, remove a component in question from the chassis, and test it in isolation to make sure that it works properly. Replace a bad component with a good one.
5. Check and change one component at a time instead of changing several items at the same time. This will help isolate and identify the problem.
6. To find out if a component is good, swap this component with a new one to see if the system will work properly. If so, then the old component is bad. You can also install the component in question in another system. If the new system works, the component is good and the old system has problems.

7.4 CMOS Clear

JBT1 on the H14DSG-OM motherboard is used to clear CMOS, which will also clear any passwords. For information on clearing CMOS, refer to ["CMOS Clear" on page 75](#) earlier in this manual.

7.5 Motherboard Battery

For information on removing, disposing of, and replacing the motherboard battery of your system, refer to ["Motherboard Battery Removal and Installation" on page 56](#).

7.6 Where to Get Replacement Components

If you need replacement parts for your AS -8126GS-NB3RT server, to ensure the highest level of professional service and technical support, purchase exclusively from our Supermicro Authorized Distributors/System Integrators/Resellers. A list can be found on the Supermicro website:

<https://www.supermicro.com>

Under the "Buy" menu, click the "Where to Buy" link.

7.7 Technical Support Procedures

Before contacting Technical Support, take the following steps. Also, note that as a motherboard manufacturer, Supermicro also sells motherboards through its channels, so it is best to first check with your distributor or reseller for troubleshooting services. They should know of any possible problems with the specific system configuration that was sold to you.

1. Refer to "Troubleshooting Procedures" on page 94 or see the FAQs on our website (<https://www.supermicro.com/FAQ/index.php>) before contacting Technical Support.
2. BIOS upgrades can be downloaded from our website (https://www.supermicro.com/support/resources/bios_ipmi.php).
3. If you still cannot resolve the problem, include the following information when contacting Supermicro for technical support:
 - Motherboard model and PCB revision number
 - BIOS release date/version (This can be seen on the initial display when your system first boots up.)
 - System configuration
4. An example of a Technical Support form is on our website at <https://webpr3.supermicro.com/SupportPortal>.
5. Distributors: For immediate assistance, have your account number ready when placing a call to our Technical Support department. For Supermicro contact information, refer to "Contacting Supermicro" on page 11.

Returning Merchandise for Service

A receipt or copy of your invoice marked with the date of purchase is required before any warranty service will be rendered. You can obtain service by calling your vendor for a Returned Merchandise Authorization (RMA) number. When returning the server to the manufacturer, the RMA number should be prominently displayed on the outside of the shipping carton, and the shipping package is mailed prepaid or hand-carried. Shipping and handling charges will be applied for all orders that must be mailed when service is complete.

For faster service, RMA authorizations can be requested online at the following page:

<https://www.supermicro.com/RmaForm>

Whenever possible, repack the server in the original Supermicro carton, using the original packaging material. If these are no longer available, be sure to pack the server securely, using packaging material to surround the server so that it does not shift within the carton and become damaged during shipping.

This warranty only covers normal consumer use and does not cover damages incurred in shipping or from failure due to the alternation, misuse, abuse or improper maintenance of products.

During the warranty period, contact your distributor first for any product problems.

7.8 Feedback

Supermicro values your feedback as we strive to improve our customer experience in all facets of our business. Email us at Techwriterteam@supermicro.com to provide feedback on our manuals.

Chapter 8:

UEFI BIOS

The following content contains information on BIOS configuration with the AS -8126GS-NB3RT server.

8.1 Introduction	104
8.2 Main Setup	106
8.3 Advanced Setup Configurations	108
8.4 BMC	132
8.5 Event Logs	136
8.6 Security	138
8.7 Boot	141
8.8 Save & Exit	143

8.1 Introduction

This chapter describes the AMIBIOS™ Setup utility for the motherboard. The BIOS is stored on a chip and can be easily upgraded using the UEFI script (flash.nsh), the BMC WebUI, or the SuperServer Automation Assistant (SAA) utility.

Note: Due to periodic changes to the BIOS, some settings may have been added or deleted and might not yet be recorded in this manual. Refer to the Manual Download area of our website for any changes to BIOS that may not be reflected in this manual.

Updating BIOS

It is recommended that you do not upgrade your BIOS if you are not experiencing any problems with your system. Updated BIOS files are located on our website at the following page:

https://www.supermicro.com/support/resources/bios_ipmi.php

Check our BIOS warning message and the information on how to update your BIOS on our website. Select your motherboard model and download the BIOS file to your computer. Also, check the current BIOS revision to make sure that it is newer than your BIOS before downloading.

Important: Do not shut down or reset the system while updating the BIOS to prevent possible system boot failure! Read the motherboard README file carefully before you perform the BIOS update.

To update the BIOS under the UEFI Shell, unzip the BIOS file onto a bootable USB device and then boot into the built-in UEFI Shell. For motherboards with BMC support, type "flash.nsh <BIOS filename><BMC Username><BMC Password>" to start the BIOS update. The flash.nsh script will invoke the SAA (EFI) tool automatically to perform the BIOS update, beginning with uploading the BIOS image to BMC. After uploading the BIOS image, the system will reboot to continue the process. The BMC will take over and continue the BIOS update in the background. The process will take 3–5 minutes. Refer to the README file for more information.

Starting the Setup Utility

To enter the BIOS Setup utility, press the <Delete> key while the system is booting-up. In most cases, the <Delete> key is used to invoke the BIOS Setup screen. There are a few cases when other hot keys are used, such as <F1>, <F2>, etc. Each main BIOS menu option is described in this manual.

The Main BIOS screen has two main frames. The left frame displays all the options that can be configured. "Grayed-out" options cannot be configured. The right frame displays the key legend. Above the key legend is an area reserved for a text message. When a BIOS submenu or item is selected in the left frame, it is highlighted in white. Often a text message will accompany it. (Note that BIOS has default text messages built in. We retain the option to include, omit, or change any of these text messages.) Settings printed in **Bold** are the default values.

A "▶" indicates a submenu. Highlighting such an item and pressing the <Enter> key open the list of settings within that submenu.

The BIOS Setup utility uses a key-based navigation system called hot keys. Most of these hot keys (<F1>, <F2>, <F3>, <F4>, <F5>, <F6>, <Enter>, <ESC>, the arrow keys, etc.) can be used at any time during the setup navigation process.

8.2 Main Setup

The Main setup screen appears when the AMI BIOS Setup utility is first entered. To return to the Main setup screen, select the Main tab at the top of the screen. The Main BIOS setup screen is shown below.

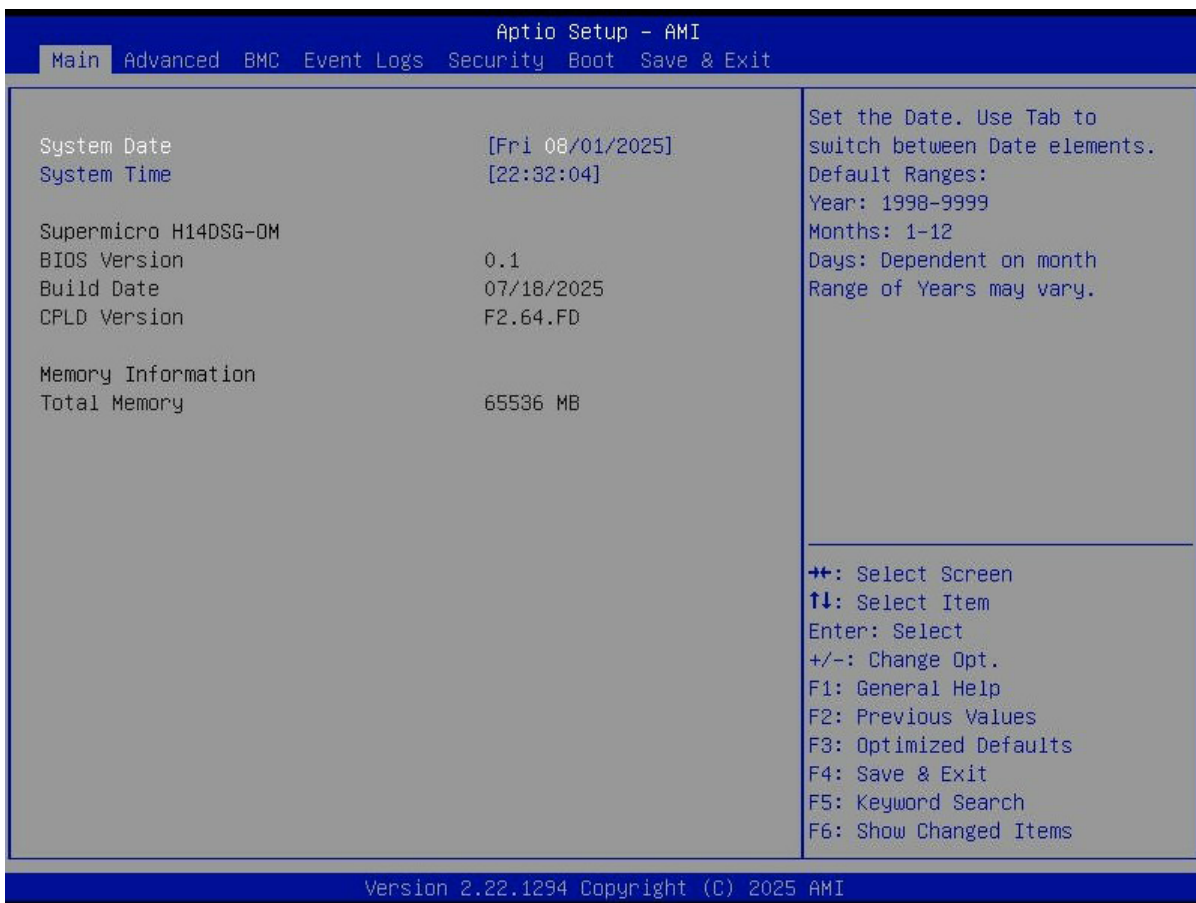


Figure 8-1. UEFI BIOS Main Tab Screen

System Date/System Time

Use the two features to change the system date and time. Highlight **System Date** or **System Time** using the arrow keys. Enter new values using the keyboard. Press the <Tab> key or the arrow keys to move between fields. The date must be entered in MM/DD/YYYY format. The time is entered in HH:MM:SS format.

Note: The time is in the 24-hour format. For example, 5:30 P.M. appears as 17:30:00.

Supermicro H14DSG-OM

BIOS Version

This feature displays the version of the BIOS ROM used in the system.

Build Date

This feature displays the date when the version of the BIOS ROM used in the system was built.

CPLD Version

This feature displays the version of the Complex-Programmable Logical Device (CPLD) used in the system.

Memory Information

Total Memory

This feature displays the total size of memory available in the system.

8.3 Advanced Setup Configurations

Use the arrow keys to select the Advanced submenu and press <Enter> to access the submenu items.

Important: Use caution when changing the Advanced settings. An incorrect value, an improper DRAM frequency, or a wrong BIOS timing setting may cause the system to malfunction. When this occurs, revert the settings to the default manufacturing settings.

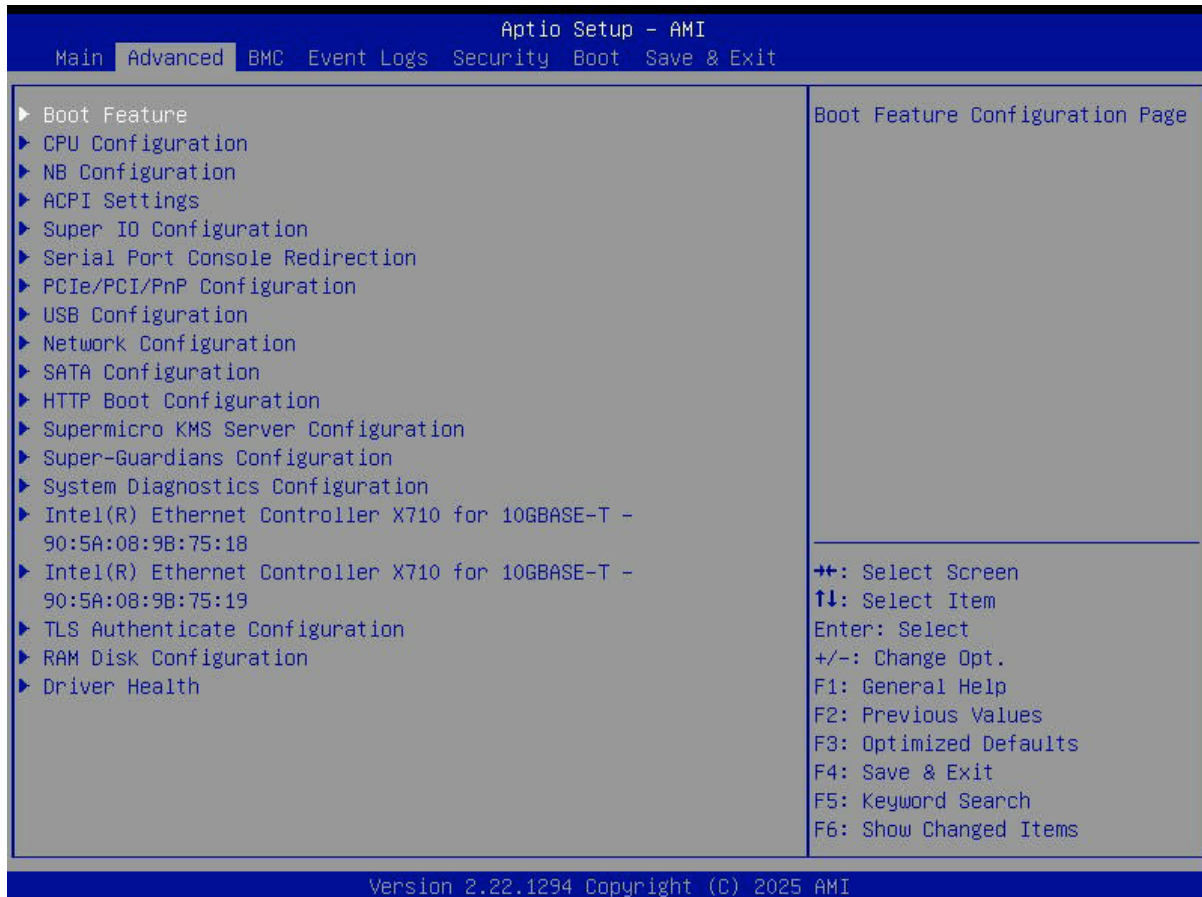


Figure 8-2. Advanced BIOS Screen

Boot Feature Menu

► Boot Feature

Quiet Boot

Use this feature to select the screen between displaying the Power-on Self Test (POST) messages or the OEM logo upon bootup. Select Disabled to display the POST messages. Select Enabled to display the OEM logo instead of the normal POST messages. The options

are Disabled and **Enabled**.

Note: BIOS POST messages are always displayed regardless of the setting of this feature.

Option ROM Messages

Use this feature to set the display mode for the Option ROM. Select Keep Current to display the current AddOn ROM display settings. Select Force BIOS to use the Option ROM display mode set by the system BIOS. The options are **Force BIOS** and Keep Current.

Bootup NumLock State

Use this feature to set the Power-on state for the <Numlock> key. The options are **On** and Off.

Wait For "F1" If Error

Select Enabled to force the system to wait until the <F1> key is pressed if an error occurs. The options are **Disabled** and Enabled.

INT19 Trap Response

Interrupt 19 is the software interrupt that handles the boot disk function. When this feature is set to Immediate, the ROM BIOS of the host adaptors will "capture" Interrupt 19 at bootup immediately and allow the drives that are attached to these host adaptors to function as bootable disks. If this feature is set to Postponed, the ROM BIOS of the host adaptors will not capture Interrupt 19 immediately to allow the drives attached to these adaptors to function as bootable devices at bootup. The options are **Immediate** and Postponed.

Re-try Boot

If this feature is set to Enabled, the system BIOS will automatically reboot the system from an Extensible Firmware Interface (EFI) boot device after an initial boot failure. The options are **Disabled** and Enabled.

Power Configuration

Watch Dog Function

Select Enabled to allow the Watch Dog timer to reboot the system when it is inactive for more than five minutes. The options are **Disabled** and Enabled.

Watch Dog Action (Available when "Watch Dog Function" is set to Enabled)

Use this feature to configure the Watch Dog Time_out setting. The options are **Reset** and NMI.

Restore on AC Power Loss

Use this feature to set the power state after a power outage. Select Stay Off for the system power to remain off after a power loss. Select Power On for the system power to be turned on after a power loss. Select Last State to allow the system to resume its last power state before a power loss. The options are Stay Off, Power On, and **Last State**.

Power Button Function

This feature controls how the system shuts down when the power button is pressed. Select 4 Seconds Override to power off the system after pressing and holding the power button for four seconds or longer. Select Instant Off to instantly power off the system as soon as you press the power button. The options are **Instant Off** and 4 Seconds Override.

CPU Configuration Menu

Workload Profile

This function allows configuring the BIOS settings to match the selected workload. The options are **Disabled**, HPC, I/O, Virtualization, Telco NFVI, Telco NFVI-FP, and Telco FlexRAN.

SMT Control

This setting is used to disable symmetric multithreading. To re-enable SMT, a power cycle is needed after selecting the Enable option. Select Auto based on BIOS PCD default setting. The options are Disabled, Enabled, and **Auto**.

Core Performance Boost

Use this setting to configure Core Performance Boost. The options are Disabled and **Auto**.

Global C-state Control

Controls IO based C-state generation and DF C-states. The options are Disabled, Enabled, and **Auto**.

ACPI CST C2 Latency

Use this setting to enter in microseconds the decimal value. Larger C2 latency values will reduce the number of C2 transitions and reduce C2 residency. Fewer transitions can help when the performance is sensitive to the latency of C2 entry and exit. The default value is **100**.

PPIN Opt-in

Select Unlock/Enabled to use the Protected Processor Inventory Number (PPIN) in the system. The PPIN is a unique number set for tracking a given processor. The options are Disabled, Enabled, and **Auto**.

SMEE

This setting controls Secure Memory Encryption (SME) for the system. The options are Disabled, Enabled, and **Auto**.

Fast Short REP MOVSB (FSRM)

The default is 1, but it can be set to zero for analysis purposes as long as the OS supports it. The options are **Auto**, Enabled, and Disabled.

Enhanced REP MOVSB/STOSB (ERSM)

This setting optimizes CPU string operations. Disabling ERSM (setting it to 0) can be useful for performance analysis if supported by the operating system. The options are Disabled, Enabled, and **Auto**.

AVX512

Enable or disable AVX512. The options are **Auto**, Enabled, and Disabled.

Monitor and MWAIT Disable

This setting controls the availability of the MONITOR, MWAIT, MONITORX, and MWAITX opcodes, which are used for power management and synchronization. The options are Enabled, Disabled, and **Auto**.

L1 Stream HW Prefetcher

This setting is used to enable or disable the L1 Stream Hardware Prefetcher. The options are Disabled, Enabled, and **Auto**.

L2 Stream HW Prefetcher

This setting is used to enable or disable the L2 Stream Hardware Prefetcher. The options are Disabled, Enabled, and **Auto**.

CCD Control

Sets the number of active CCDs. A power cycle is required once this option has been used to remove any CCDs. The options are **Auto**, 2 CCDs, 4 CCDs, 6 CCDs, 8 CCDs, and 10 CCDs.

Core Control

Sets the number of cores to be used. Once this option has been used to remove any cores, a power cycle is required for future selections to take effect. The options are **Auto**, ONE (1+0), TWO (2+0), THREE (3+0), FOUR (4+0), FIVE (5 +0), SIX (6+0), SEVEN (7+0), TWO (1+1), FOUR (2+2), SIX (3+3), EIGHT (4+4), TEN (5+5), TWELVE (6+6), and FOURTEEN (7+7).

SVM Mode

This setting enables or disables CPU Virtualization. The options are Disabled and **Enabled**.

CPU1 PCIe Package Group P2

This setting selects the PCIe port bifurcation configuration for the selected slot. The options are **Auto**, x4x4x4x4, x4x4x8, x8x4x4, x8x8, and x16.

CPU1 PCIe Package Group G2

This setting selects the PCIe port bifurcation configuration for the selected slot. The options are **Auto**, x4x4x4x4, x4x4x8, x8x4x4, x8x8, and x16.

CPU1 PCIe Package Group P3

This setting selects the PCIe port bifurcation configuration for the selected slot. The options are **Auto**, x4x4x4x4, x4x4x8, x8x4x4, x8x8, and x16.

CPU1 PCIe Package Group G3

This setting selects the PCIe port bifurcation configuration for the selected slot. The options are **Auto**, x4x4x4x4, x4x4x8, x8x4x4, x8x8, and x16.

CPU1 PCIe Package Group P1

This setting selects the PCIe port bifurcation configuration for the selected slot. The options are **Auto**, x4x4x4x4, x4x4x8, x8x4x4, x8x8, and x16.

CPU2 PCIe Package Group G1

This setting selects the PCIe port bifurcation configuration for the selected slot. The options are **Auto**, x4x4x4x4, x4x4x8, x8x4x4, x8x8, and x16.

NB Configuration

North Bridge Configuration

IOMMU

Use this setting to enable or disable IOMMU. The options are Disabled, Enabled, and **Auto**.

DMAR Support

Use this setting to enable DMAR system protection during POST (Power-On Self-Test). The options are Disabled, Enabled, and **Auto**.

DMA Protection

Use this setting to enable DMA remap support in the IVRS IVinfo field. The options are **Auto**, Enabled, and Disabled.

DRTM Virtual Device Support

This enables or disables the DRTM ACPI Virtual device. The options are Disabled, Enabled, and **Auto**.

DRTM Memory Reservation

This setting reserves 128 MB of memory below for DRTM security functions. It is required to for secured-core servers. The options are Disabled, Enabled, and **Auto**.

ACS Enable

This setting enables Access Control Service (ACS) functionality, which requires AER to be active. The options are Enabled, Disabled, and **Auto**.

TDP Control

Use this setting to set the processor's power consumption (TDP). The options are Manual and **Auto**.

Package Power Limit Control

Use Auto to apply the default power limit (PPT) or Manual to set a custom PPT. The options are Manual and **Auto**.

Determinism Control

Use this setting to configure the level of performance determinism. The options are Manual and **Auto**.

APBDIS

Use this setting to control the APBDIS feature. A value of 0 indicates "not APBDIS" (mission mode). The options are 0, 1, and **Auto**.

Power Profile Selection

Use this setting to select a power profile to optimize performance or efficiency. The options are High Performance Mode, Efficiency Mode, Maximum IO Performance Mode, Balanced Memory Performance Mode, Balanced Core Performance Mode, Balanced Core Memory Performance Mode, and **Auto**.

DF Cstates

This setting controls the power-saving states of the data fabric. The options are Disabled, Enabled, and **Auto**.

Data Link Feature Cap

This setting controls the activation of advanced data link features for PCIe devices, which can improve link performance and reliability. The options are Enabled, Disabled, and **Auto**.

SEV-SNP Support

This setting controls the activation of Secure Encrypted Virtualization - Secure Nested Paging (SEV-SNP) security features. The options are Disabled, Enabled, and **Auto**.

Periodic Training Mode

This setting controls the method for managing power-saving states. The options are Disabled and **Legacy**.

EQ Bypass To Highest Rate

This setting determines whether the system can bypass equalization steps at lower data rates and directly attempt equalization at the highest supported rate during the link setup process. The options are Disable, Enable, and **Auto**.

CXL Memory Attribute

This setting determines the memory type for CXL devices. The options are **Auto**, Enabled, and Disabled.

Sync Header Bypass

This setting controls the inclusion of synchronization headers in data transmissions. The options are **Auto**, Enabled, and Disabled.

► xGMI Configuration

xGMI Link Width Control

This setting manages the width of the xGMI link between components. The options are Manual and **Auto**.

xGMI Force Link Width Control (available when xGMI Link Width Control is set to Manual)

This setting forces a specific link width for the xGMI interface, overriding automatic settings for manual control. The options are **Auto**, Unforce, and Force.

xGMI Force Link Width (available when xGMI Force Link Width Control is set to Force)

This setting forces a specific link width for the xGMI interface, overriding automatic settings for manual control. The options are 0 (forces xGMI link width to x4), 1 (forces xGMI link width to x8), and 2 (forces xGMI link width to x16).

xGMI Max Link Width Control (available when xGMI Link Width Control is set to Manual)

This setting sets the maximum link width for the xGMI interface, allowing you to optimize data transfer between components. The options are Manual and **Auto**.

xGMI Max Link Width (available when xGMI Max Link Width Control is set to Manual)

This setting sets the upper limit for the width of the xGMI interface to optimize bandwidth. The options are 0 and 1.

xGMI Link Max Speed

This setting controls the maximum speed of the xGMI link. The options are 10.667 Gbps, 11 Gbps, 12 Gbps, 13 Gbps, 14 Gbps, 15 Gbps, 16 Gbps, 17 Gbps, 18 Gbps, 19 Gbps, 20 Gbps, 21 Gbps, 22 Gbps, and **Auto**.

► Memory Configuration

Memory Target Speed

Use this setting to specify the memory target speed in MT/s. The options are **Auto**, DDR3600, DDR4000, DDR4400, DDR4800, DDR5200, DDR5600, DDR6000, and DDR6400.

Memory Target Speed

Use this setting to specify the memory target speed in MT/s. The options are **Auto**, DDR3600, DDR4000, DDR4400, DDR4800, and DDR5200.

Memory Interleaving

This setting controls fabric level memory interleaving. Note that the channel, die and socket have requirements on memory populations and it will be ignored if the memory doesn't support the selected option. The options are Disabled, Enabled, and **Auto**.

Chipselect Interleaving

This setting allows memory blocks to be interleaved across the DRAM chip selects for node 0, which can enhance memory performance. The options are Disabled and **Auto**.

BankSwapMode

This setting determines the operation of memory banks in relation to CPU usage. The options are **Auto**, Disabled, and Swap CPU.

Power Down Enable

Use this setting to enable or disable DDR power down mode. The options are Disabled, Enabled, and **Auto**.

DRAM Scrub Time

This setting specifies the frequency of memory scrubbing, which helps maintain data integrity by refreshing memory contents. The options are Disabled, 1 hour, 4 hours, 6 hours, 8 hours, 12 hours, 16 hours, **24 hours**, and 48 hours.

TSME

This setting controls the Transparent Secure Memory Encryption feature. The options are **Auto**, Enabled, and Disabled.

Enhanced PPR

Use this setting to enable a full memory test during system setup. While this thorough testing can enhance system stability, it will also increase the overall boot time. The options are **Disabled** and Enabled.

► CPU1 Memory Information

View memory information for CPU1.

CPU1 Memory Information

These sections are for informational purposes. They will display some details about the detected memory according to each CPU on the motherboard, such as:

- Detected Size (per slot, in MB)
- Current Speed (MT/s)

► CPU2 Memory Information

View memory information for CPU2.

CPU2 Memory Information

These sections are for informational purposes. They will display some details about the detected memory according to each CPU on the motherboard, such as:

- Detected Size (per slot, in MB)
- Current Speed (MT/s)

ACPI Settings Menu

► ACPI Settings

High Precision Event Timer

The High Precision Even Timber (HPET) is a hardware timer that provides high-resolution time stamps and periodic interrupts, used by the operating system for various timing-related tasks. The options are Disabled and **Enabled**.

PCI AER Support

This setting controls the Advanced Error Reporting (AER) capability for PCIe devices in the system. The options are Enabled and **Disabled**.

NUMA Nodes per Socket

A NUMA architecture divides hardware resources, including processors, memory, and I/O buses, into groups, called NUMA nodes. This setting specifies the number of desired NUMA nodes per sockets. Selecting Zero will attempt to interleave the two sockets together. **Auto** is equivalent to NPS1.

ACPI SRAT L3 Cache As NUMA Domain

This setting determines how the system's Non-Uniform Memory Access (NUMA) domains are defined in relation to the L3 cache. The options are Disabled, Enabled, and **Auto**.

Super IO Configuration Menu

► Super IO Configuration

Note: This submenu is available when your system supports this feature.

The following information is displayed.

- Super IO Chip

Select for Serial Port 1 or Serial Port 2.

Serial Port 1 Configuration Menu

Serial Port 1 Configuration

Serial Port 1

Select Enabled to enable serial port 1. The options are Disabled and **Enabled**.

Device Settings (Available when "Serial Port 1" above is set to Enabled)

This feature displays the base I/O port address and the Interrupt Request address of serial port 1.

Change Settings (Available when "Serial Port 1" above is set to Enabled)

Use this feature to specify the base I/O port address and the Interrupt Request address of serial port 1. Select Auto for the BIOS to automatically assign the base I/O and IRQ address to serial port 1. The options are **Auto**, (IO=3F8h; IRQ=4;), (IO=3F8h; IRQ=3,4,5,6,7,9,10,11,12;), (IO=2F8h; IRQ=3,4,5,6,7,9,10,11,12;), (IO=3E8h; IRQ=3,4,5,6,7,9,10,11,12;), and (IO=2E8h; IRQ=3,4,5,6,7,9,10,11,12;).

Serial Port 2 Configuration Menu

Serial Port 2 Configuration

Serial Port 2/SOL ("Serial Port 2" or "SOL" based on your system support)

Select Enabled to enable serial port 2 (or SOL). The options are Disabled and **Enabled**.

Device Settings (Available when "Serial Port 2/SOL" above is set to Enabled)

This feature displays the base I/O port address and the Interrupt Request address of serial port 2 (or SOL).

Change Settings (Available when "Serial Port 2/SOL" above is set to Enabled)

Use this feature to specify the base I/O port address and the Interrupt Request address of serial port 2 (or SOL). Select Auto for the BIOS to automatically assign the base I/O and IRQ address to serial port 2 (or SOL). The options are **Auto**, (IO=2F8h; IRQ=3;), (IO=3F8h; IRQ=3,4,5,6,7,9,10,11,12;), (IO=2F8h; IRQ=3,4,5,6,7,9,10,11,12;), (IO=3E8h; IRQ=3,4,5,6,7,9,10,11,12;), and (IO=2E8h; IRQ=3,4,5,6,7,9,10,11,12;).

Serial Port 2 Attribute (Available for Serial Port 2 only)

Select SOL to use serial port 2 as a Serial Over LAN (SOL) port for console redirection. The options are **SOL** and COM.

Serial Port Console Redirection Menu

COM1 (Available when your system supports the serial port of COM1)

Console Redirection

Select Enabled to enable COM port 1 for Console Redirection, which allows a client machine to be connected to a host machine at a remote site for networking. The options are **Disabled** and Enabled.

Note: This feature will be set to Enabled if there is no BMC support.

► Console Redirection Settings

Note: This submenu is available when "Console Redirection" for COM1 or SOL/COM2 is set to Enabled.

Terminal Type

Use this feature to select the target terminal emulation type for Console Redirection. Select VT100 to use the ASCII Character set. Select VT100+ to add color and function key support. Select ANSI to use the Extended ASCII Character Set. Select VT-UTF8 to use UTF8 encoding to map Unicode characters into one or more bytes. The options are VT100, **VT100+**, VT-UTF8, and ANSI.

Bits Per Second EMS

This feature sets the transmission speed for a serial port used in Console Redirection. Make sure that the same speed is used in the host computer and the client computer. A lower transmission speed may be required for long and busy lines. The options are 9600, 19200, 57600, and **115200** (bits per second).

Data Bits

Use this feature to set the data transmission size for Console Redirection. The options are 7 and **8** (bits).

Parity

A parity bit can be sent along with regular data bits to detect data transmission errors. Select Even if the parity bit is set to 0, and the number of 1's in data bits is even. Select Odd if the parity bit is set to 0, and the number of 1's in data bits is odd. Select None if you do not want to send a parity bit with your data bits in transmission. Select Mark to add a mark as a parity bit to be sent along with the data bits. Select Space to add a Space as a parity bit to be sent with your data bits. The options are **None**, Even, Odd, Mark, and Space.

Stop Bits

A stop bit indicates the end of a serial data packet. Select 1 Stop Bit for standard serial data communication. Select 2 Stop Bits if slower devices are used. The options are **1** and **2**.

Flow Control

Use this feature to set the flow control for Console Redirection to prevent data loss caused by buffer overflow. Send a "Stop" signal to stop sending data when the receiving buffer is full. Send a "Start" signal to start sending data when the receiving buffer is empty. The options are **None** and Hardware RTS/CTS.

VT-UTF8 Combo Key Support

Select Enabled to enable VT-UTF8 Combination Key support for ANSI/VT100 terminals. The options are Disabled and **Enabled**.

Recorder Mode

Select Enabled to capture the data displayed on a terminal and send it as text messages to a remote server. The options are **Disabled** and Enabled.

Resolution 100x31

Select Enabled for extended-terminal resolution support. The options are Disabled and **Enabled**.

Putty KeyPad

This feature selects Function Keys and KeyPad settings for Putty, which is a terminal emulator designed for the Windows OS. The options are **VT100**, LINUX, XTERMR6, SCO, ESCN, and VT400.

► Legacy Console Redirection Settings

Legacy Serial Redirection Port

Select a COM port to display redirection of legacy OS and legacy OPRM messages. The options are **COM1** and SOL/COM2.

Resolution

On legacy OS, the number of rows and columns supported redirection. The options are 80x24 and **80x25**.

Redirection After BIOS Post

When bootloader is selected, then legacy console redirection is disabled before booting to legacy OS. When always is select, then legacy console redirection is enabled for legacy OS. The options are **Always Enable** and BootLoader.

Console Redirection EMS

Select Enabled to use the SOL port for Console Redirection. The options are **Disabled** and Enabled.

PCIe/PCI/PnP Configuration Menu

Above 4G Decoding

This setting enables 64-bit PCI device access to memory beyond 4 GB for improved memory utilization and performance. The options are Disabled and **Enabled**.

Re-Size BAR Support

This setting enables or disables the Re-Size Base Address Register feature for compatible PCIe devices, which allows the system to allocate more memory to the device. The options are Disabled and **Enabled**.

SR-IOV Support

This setting enables or disables Single Root I/O Virtualization support for the system's PCIe devices. The options are Disabled and **Enabled**.

BME DMA Mitigation

This setting enables or disables Bus Mastering Error (BME) Direct Memory Access (DMA) mitigation for protection during the pre-boot process. The options are **Disabled** and Enabled.

ASPM Support

Configure the Active State Power Management (ASPM) level for PCIe links to optimize power consumption and performance. The options are **Disabled**, Auto, and Force L1.

PCIe ARI Support

This setting enables alternative routing-ID interpretation. The options are Disabled, Enabled, and **Auto**.

PCIe ARI Enumeration

This setting controls the forwarding of Alternate Routing-ID Interpretation (ARI) information for each downstream port, which is essential for device identification in PCIe systems. The options are Disabled, Enabled, and **Auto**.

Relaxed Ordering

This setting determines whether PCI Express devices are permitted to bypass strict transaction ordering, which can lead to potential performance improvements. The options are Disabled and **Enabled**.

Clock Spread Spectrum

This setting allows the BIOS to monitor and reduce the level of Electromagnetic Interference (EMI) generated by system components. The options are **Disabled** and **Enabled**.

No Snoop

This setting configures the No Snoop option for PCI Express devices, determining whether memory accesses bypass the cache. The options are **Disabled** and **Enabled**.

VGA Priority

This setting allows you to choose the primary video output source for the system. The options are **Onboard** and **External**.

PCIe Ten Bit Tag Support

This setting enables the use of ten-bit tags for PCIe devices, which can improve data handling and management. The options are **Disabled**, **Enabled**, and **Auto**.

NVMe Firmware Source

This setting determines the source of firmware for NVMe devices, allowing you to select between native support or vendor-specific firmware. The options are **Vendor Defined Firmware** and **AMI Native Support**.

PCI Devices Option ROM Setting**CPU SLOT3-10 PCIe 5.0 x16 OPROM**

This setting enables or disables the Option ROM for the SLOT3 PCIe 5.0 x16 interface. The options are **Disabled** and **EFI**.

M.2-C1 OPROM

This setting enables or disables the Option ROM for the M.2-C1 slot. The options are **Disabled** and **EFI**.

M.2-C2 OPROM

This setting enables or disables the Option ROM for the M.2-C2 slot. The options are **Disabled** and **EFI**.

Onboard Video Option ROM

This setting selects the type of firmware to be loaded for onboard video. The options are **Disabled** and **EFI**.

AOM-PTG-I2T OPROM

This setting allows you to select the firmware function to be loaded for the onboard LAN1 interface. The options are **Disabled** and **EFI**.

USB Configuration

USB Configuration

USB Module Version 37

USB Controllers: 2 XHCIs

USB Devices: 1 Keyboard, 1 Mouse, 3 Hubs

XHCI Hand-off

This setting provides a workaround for operating systems that do not support XHCI hand-off. The XHCI ownership change must be claimed by the XHCI driver. The options are Enabled and **Disabled**.

Legacy USB Support

Select Enabled to support onboard legacy USB devices. Select Auto to disable legacy support if there are no legacy USB devices present. Select Disable to have all USB devices available for EFI applications only. The options are **Enabled**, Disabled and Auto.

Network Configuration Menu

Network Stack

Select Enabled to enable Preboot Execution Environment (PXE) or Unified Extensible Firmware Interface (UEFI) for network stack support. The options are Disabled and **Enabled**.

IPv4 PXE Support (Available when "Network Stack" is set to Enabled)

Select Enabled to enable IPv4 PXE boot support. If this feature is disabled, it will not create the IPv4 PXE boot option. The options are Disabled and **Enabled**.

IPv4 HTTP Support (Available when "Network Stack" is set to Enabled)

Select Enabled to enable IPv4 HTTP boot support. If this feature is disabled, it will not create the IPv4 HTTP boot option. The options are Disabled and **Enabled**.

IPv6 PXE Support (Available when "Network Stack" is set to Enabled)

Select Enabled to enable IPv6 PXE boot support. If this feature is disabled, it will not create the IPv6 PXE boot option. The options are Disabled and **Enabled**.

IPv6 HTTP Support (Available when "Network Stack" is set to Enabled)

Select Enabled to enable IPv6 HTTP boot support. If this feature is disabled, it will not create the IPv6 HTTP boot option. The options are Disabled and **Enabled**.

PXE Boot Wait Time (Available when "Network Stack" is set to Enabled)

Use this feature to set the wait time (in seconds) upon which the system BIOS will wait for you to press the <ESC> key to abort PXE boot instead of proceeding with PXE boot by connecting to a network server immediately. Press the <+> or <-> key on your keyboard to change the value. The default value is **0**.

Media Detect Count (Available when "Network Stack" is set to Enabled)

Use this feature to set the wait time (in seconds) for the BIOS ROM to detect the presence of a LAN media either via the Internet connection or via a LAN port. Press the <+> or <-> key on your keyboard to change the value. The default value is **1**.

► Enter Configuration Menu

Interface Name

Interface Type

MAC address

Host addresses

Route Table

Gateway addresses

DNS addresses

Interface ID

DAD Transmit Count

The number of consecutive Neighbor Solicitation messages sent while performing Duplicate Address Detection on a tentative address. A value of zero indicates that Duplicate Address Detection is not performed. The default value is **1**.

Policy

Use this feature to select how the policy is to be configured. The options are **Automatic** and **Manual**.

Save Changes and Exit

The options are **Yes** and **No**.

► IPv4 Network Configuration**► Configured (Available when set Enabled)****Enable DHCP**

The options are **Disabled** and **Enabled**.

Local IP Address

Enter and IP address. Example: 192.168.10.12

Local NetMask

Enter the Netmask address. Exmample: 255.255.255.0

Local Gateway

Enter the Gateway IP address. Example: 192.168.10.1

Local DNS Servers

Enter the DNS servers IP addresses. Example: 192.168.10.8

Save Changes and Exit

The options are **Yes** and no.

SATA Configuration Menu

ASMedia SATA Configuration

▶ ASMedia SATA Controller

Hot-Plug

Enable or disable hot-plug support for SATA devices, allowing them to be connected or disconnected while the system is running. The options are **Disabled** and Enabled.

▶ Serial ATA Contoller 0 Settings

SATA Enable

The options are **Disabled** and Enabled.

▶ SATA Information

HTTP Boot Configuration Menu

HTTP Boot Configuration

HTTP Boot Policy

Use this feature to set the HTTP boot policy. The options are Apply to all LANs, **Apply to each LAN**, and Boot Priority #1 instantly.

HTTP Boot Checks Hostname

Important: Disabling "HTTP Boot Checks Hostname" is a violation of RFC 6125 and may expose you to Man-in-the-Middle Attacks. Supermicro is not responsible for any and all security risks incurred by you disabling this feature.

Enable this feature for HTTPS boot to check the hostname of the TLS certificates to see if it matches the host name provided by the remote server. The options are **Enabled** and Disabled (WARNING: Security Risk!).

Priority of HTTP Boot

Instance of Priority 1: (Available when your motherboard supports this feature)

This feature sets the rank target port. The default setting is 1.

Select IPv4 or IPv6

This feature specifies which connection the target LAN port should boot from. The options are **IPv4** and IPv6.

Boot Description

Use this feature to enter a boot description, which cannot be longer than 75 characters. Please be sure to enter a boot description; otherwise, the boot option for the URI cannot be created.

Boot URI

Enter a Boot Uniform Research Identifier (URI) with 128 characters or shorter. This Boot URI determines how IPv4 Boot Option and IPv6 Boot Option will be created. This feature is only supported on Dual or EFI Boot Mode.

Supermicro KMS Server Configuration Menu

► Supermicro KMS Server Configuration

Note: Be sure to configure all the features in the submenu of Supermicro KMS Server Configuration and the feature of "KMS Security Policy" in the submenu of Super-Guardians Configuration so that your system can communicate with the KMS server.

Supermicro KMS Server IP address

Use this feature to set the Supermicro Key Management Service (KMS) server IPv4 address in dotted-decimal notation.

Second Supermicro KMS Server IP address

Use this feature to set the second Supermicro KMS server IPv4 address in dotted-decimal notation.

Supermicro KMS TCP Port number

Use this feature to set the TCP port number used in Supermicro KMS Server. The valid range is 100–9999. The default setting is **5696**. Do not change the default setting unless a different TCP port number has been specified and used in the Supermicro KMS Server.

KMS Time Out

Use this feature to enter the KMS server connecting time-out (in seconds). The default setting is **5** (seconds).

TimeZone

Use this feature to set the correct time zone. The default setting is **0** (not specified).

Client UserName

Press <Enter> to set the client identity (UserName). The username can be between 0 and 63 characters in length.

Client Password

Press <Enter> to set the client identity (Password). The password can be between 0 and 31 characters in length.

► CA Certificate

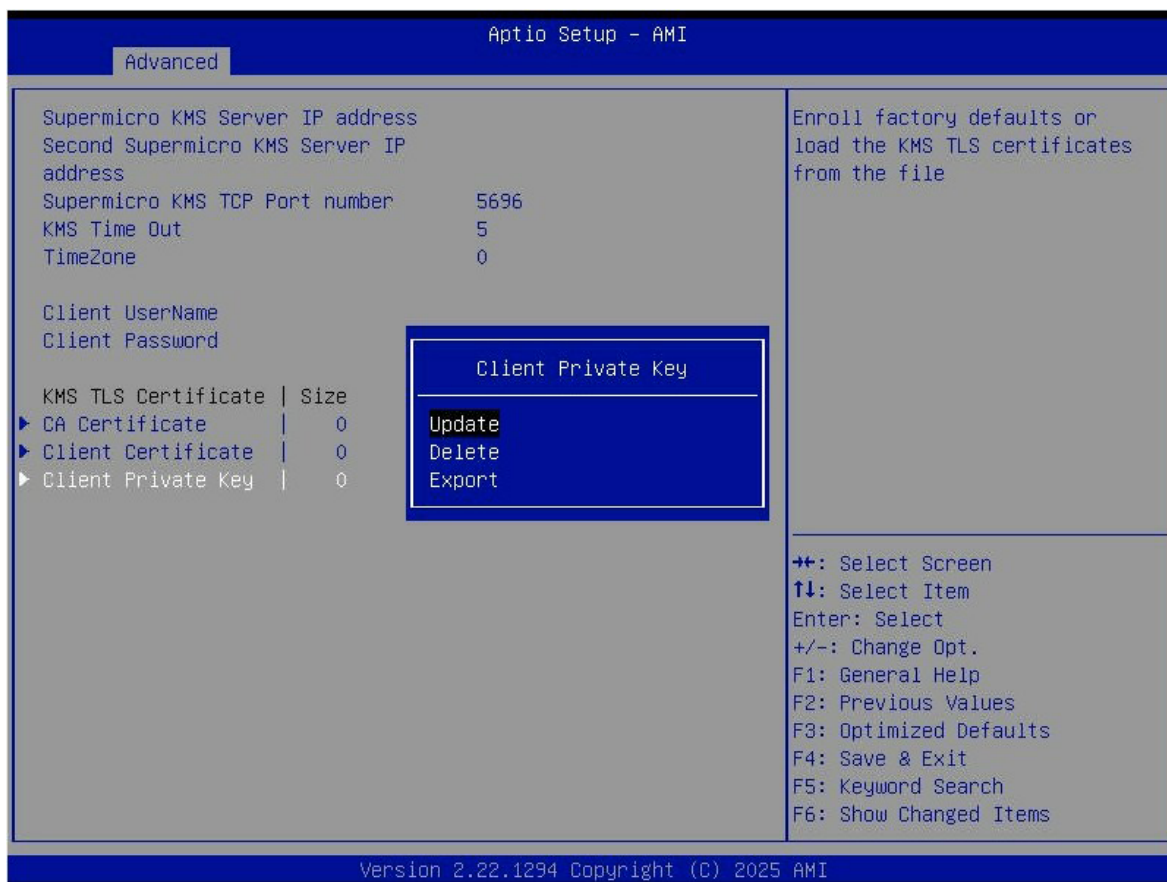
This setting provides options for managing the Certificate Authority (CA) certificate. The options are **Update**, Delete, and Export.

► Client Certificate

This setting provides options for managing the client certificate. The options are **Update**, Delete, and Export.

► Client Private Key

Use the three features to enroll factory defaults or load the KMS Transport Layer Security (TLS) certificates, which are generated by the KMS Server, from the file stored in the USB flash drive as shown below.



Private Key Password (Available when "Client Private Key" above has been set)

Use this feature to change the password for the client private key.

Super-Guardians Configuration Menu

► Super-Guardians Configuration

Super-Guardians Protection Policy

Use this feature to enable the Super-Guardians Protection Policy. The options are **Storage**, **System**, and **System and Storage**. Set this feature to **Storage** to protect and have secure access to Trusted Computing Group (TCG) NVMe devices with the Authentication-Key (AK). Set this feature to **System** to protect and have secure access to your system/motherboard with the AK. Set this feature to **System and Storage** to protect and have secure access to your system/motherboard/storage devices with the AK.

KMS Security Policy (Available when "TPM Security Policy" and "USB Security Policy" are set to Disabled)

Set this feature to **Enabled** to enable the KMS Security Policy. When this feature has not previously been set to **Enabled**, the options are **Disabled** and **Enabled**. Changes take effect after you save settings and reboot the system.

When this feature has previously been set to Enabled, the options are **Enabled**, Reset, and Key Rotation. Set this feature to Key Rotation to obtain an existing AK from the KMS server and create a new AK. To disable the KMS Security Policy, set this feature to Reset. When this feature is set to Reset, the system and TCG NVMe devices chosen in "Super-Guardians Protection Policy" will be in the unprotected mode.

Notes:

- Be sure that the KMS server is ready before configuring this feature.
- Use the professional KMS server solutions (e.g., Thales Server) or the Supermicro PyKMIP Software Package to establish the KMS server.

KMS Server Retry Count (Available when "TPM Security Policy" and "USB Security Policy" are set to Disabled)

Use this feature to specify how many times the system will attempt reconnecting to the KMS server. The valid range is 0–10. Press the <+> or <-> key on your keyboard to change the value. The default setting is 5. If the value is 0, the system will retry infinitely.

TPM Security Policy (Available when "KMS Security Policy" and "USB Security Policy" are set to Disabled)

Set this feature to Enabled to enable the TPM Security Policy. When this feature has not previously been set to Enabled, the options are **Disabled** and Enabled. Changes take effect after you save settings and reboot the system.

When this feature has previously been set to Enabled, the options are **Enabled** and Reset. To disable the TPM Security Policy, set this feature to Reset. When this feature is set to reset, the system and TCG NVMe devices chosen in "Super-Guardians Protection Policy" will be in the unprotected mode.

Note: Be sure to install a TPM 2.0 device to your system before configuring this feature.

Load Authentication-Key (Available when "KMS Security Policy," "TPM Security Policy," and "USB Security Policy" are set to Disabled)

The options are **Disabled** and Enabled. Set this feature to Enabled. Changes take effect after you save settings and reboot the system. While booting, the BIOS will automatically load the Authentication-Key (filename: TPMAuth.bin) from the USB flash drive. Afterwards, the default setting will be set to Disabled by the BIOS.

Notes:

- Be sure to connect a USB flash drive with the Authentication-Key (filename: TPMAuth.bin) to your system before the system reboots.
- Be sure to save the Authentication-Key (filename: TPMAuth.bin) to the USB flash drive and have a backup. Please load the Authentication-Key (filename: TPMAuth.bin) after installing a TPM device. Otherwise, the TPM function can not work properly.

USB Security Policy (Available when "KMS Security Policy" and "TPM Security Policy" are set to Disabled)

Use this feature to enable the USB Security Policy. The options are **Disabled** and Enabled. Set this feature to Enabled. Changes take effect after you save settings and reboot the system. Connect a USB flash drive to your system before the system reboot. While booting, the BIOS will automatically create the USB Authentication-Key (filename: USBAuth.bin) and save it to the USB flash drive.

When this feature has been previously set to Enabled, the options are **Enabled** and Reset. To disable the USB Security Policy, set this feature to Reset. When this feature is set to Reset, the system and TCG NVMe devices chosen in "Super-Guardians Protection Policy" will be in the unprotected mode.

Note: Be sure to connect a USB flash drive to your system before configuring this feature. Save the USB Authentication-Key (filename: USBAuth.bin) to the USB flash drive and keep a backup.

System Diagnostics Configuration

Launch System Diagnostics

Use this feature to run hardware tests that check the health of system components and help identify any issues. The options are **Disabled** and Launch Once.

TLS Authenticate Configuration Menu

► Server CA Configuration

This feature allows you to configure the client certificate that is to be used by the server.

► Enroll Certification

This feature allows you to enroll the certificate in the system.

Certification GUID

Press <Enter> and input the certification Global Unique Identifier (GUID).

▶ **Commit Changes and Exit**

Use this feature to save all changes and exit TLS settings.

▶ **Discard Changes and Exit**

Use this feature to discard all changes and exit TLS settings.

▶ **Delete Certification**

This feature is used to remove the selected TLS certificates that are no longer needed or valid.

▶ **Client Certification Configuration**

Use this feature to manage the TLS certificates used to authenticate remote clients connecting to your system. Add, view, or delete client certificates as needed.

RAM Disk Configuration

Disk Memory Type

This setting defines the type of memory to be allocated from the system's available memory pool to create a disk. The options are **Boot Service Data** and **Reserved**.

▶ **Create raw**

Create a RAM disk from a selected file on a storage device.

Size (Hex):

Set the size of the RAM disk. The valid size should be multiples of the RAM disk block size.

Create & Exit

Create a new RAM disk with the given starting and ending address.

Discard & Exit

Discard changes and exit.

▶ **Create from file**

Create a RAM disk from a selected file on a storage device.

Created RAM disk list:

View all currently created RAM disks, and select the desired RAM disk to be enabled or disabled.

Remove selected RAM disk(s)

Delete the selected RAM disk(s) from the list.

Driver Health Menu

► Driver Health

This feature displays the health information of the drivers installed in your system, including LAN controllers, as detected by the BIOS. Select one and press <Enter> to see the details.

Note: This section is provided for reference only, for the driver health status will differ depending on the drivers installed in your system. It's also based on your system configuration and the environment that your system is operating in.

8.4 BMC

Use this menu to configure Baseboard Management Console (BMC) settings.

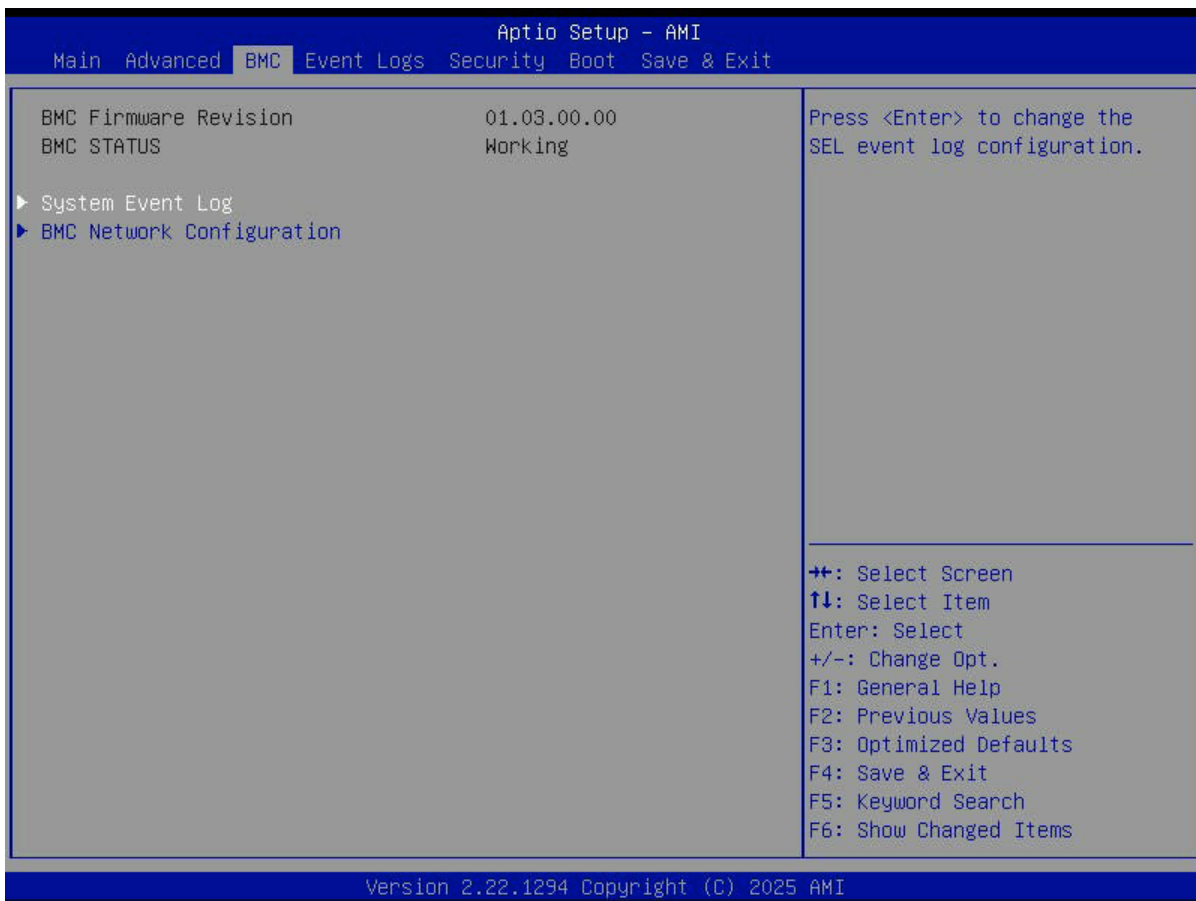


Figure 8-3. BMC Tab Screen

BMC Firmware Revision

This feature indicates the BMC firmware revision used in this system.

BMC STATUS

This feature indicates the status of the BMC firmware installed in this system.

System Event Log Menu

▶ System Event Log

Note: All values changed in this submenu do not take effect until computer is restarted.

SEL Components

Select Enabled to enable all system event logging upon system boot. The options are Disabled and **Enabled**.

Erasing Settings

Erase SEL (Available when "SEL Components" is set to Enabled)

Select (Yes, On next reset) to erase all system event logs upon next system boot. Select (Yes, On every reset) to erase all system event logs upon each system reboot. Select No to keep all system event logs after each system reboot. The options are **No**, (Yes, On next reset), and (Yes, On every reset).

When SEL is Full (Available when "SEL Components" is set to Enabled)

This feature defines what the BIOS should do when the system event log is full. Select Erase Immediately to erase all events in the log when the system event log is full. The options are **Do Nothing** and Erase Immediately.

BMC Network Configuration Menu

► BMC Network Configuration

Update BMC LAN Configuration

Select Yes for the BIOS to implement all IP/MAC address changes upon next system boot. The options are **No** and Yes.

Configure IPv4 Support

BMC LAN Selection

This feature displays the type of the BMC LAN.

BMC Network Link Status:

This feature displays the status of the BMC network link for this system.

Configuration Address Source (Available when "Update BMC LAN Configuration" is set to Yes)

Use this feature to select the source of the IPv4 connection. If Static is selected, note the IP address of the IPv4 connection and enter it to the system manually in the field. If DHCP is selected, the BIOS will search for a Dynamic Host Configuration Protocol (DHCP) server in the network that is attached to and request the next available IP address for this computer. The options are Static and **DHCP**.

Station IP Address

This feature displays the Station IP address in decimal and in dotted quad form (i.e., 172.29.176.131). It is available for configuration when "Configuration Address Source" above is set to Static.

Subnet Mask

This feature displays the sub-network that this computer belongs to. It is available for configuration when "Configuration Address Source" above is set to Static.

Station MAC Address

This feature displays the Station MAC address for this computer. MAC addresses are six two-digit hexadecimal numbers.

Gateway IP Address

This feature displays the Gateway IP address for this computer. This should be in decimal and in dotted quad form (i.e., 172.29.0.1). It is available for configuration when "Configuration Address Source" above is set to Static.

Configure IPv6 Support

IPv6 Address Status

This feature displays the status of the IPv6 address.

IPv6 Support (Available when "Update BMC LAN Configuration" is set to Yes)

Use this feature to enable IPv6 support. The options are **Enabled** and Disabled.

Configuration Address Source (Available when "IPv6 Support" is set to Enabled)

Use this feature to select the source of the IPv6 connection. If Static Configuration is selected, note the IP address of IPv6 connection and enter it to the system manually in the field. If the other two options are selected, the BIOS will search for a DHCP server in the network that is attached to and request the next available IP address for this computer. The options are Static Configuration, **DHCPv6 Stateless**, and DHCPv6 Stateful.

IPv6 Address ("Static," "DHCPv6 Stateless," or "DHCPv6 Stateful," depending on the option you selected for "Configuration Address Source" above)

This feature displays the station IPv6 address.

Prefix Length

This feature displays the prefix length. It is available for configuration when "Configuration Address Source" above is set to Static Configuration.

Gateway IP

This feature displays the IPv6 gateway IP address. It is available for configuration when "Configuration Address Source" above is set to Static Configuration.

Advanced Settings (Available when "Configuration Address Source" is set to DHCPv6 Stateless)

Use this feature to set the DNS server IP. The default setting allows this system to obtain the DNS server IP automatically. The options are **Auto obtain DNS server IP** and Manually obtain DNS server IP.

Preferred DNS server IP (Available when "Advanced Settings" above is set to Manually obtain DNS server IP)

This feature displays the preferred DNS server IP. It can be configured via Redfish.

Alternative DNS server IP (Available when "Advanced Settings" above is set to Manually obtain DNS server IP)

This feature displays the alternative DNS server IP. It can be configured via Redfish.

Configure VLAN Support

VLAN Support (Available when "Update BMC LAN Configuration" is set to Yes)

Use this feature to enable the virtual LAN (VLAN) support. The options are Enabled and Disabled.

VLAN ID (Available when "VLAN Support" is set to Enabled)

Use this feature to create a new VLAN ID. The valid range is 1–4094. The default setting is 1.

8.5 Event Logs

Use this menu to configure Event Logs settings.

Note: After you've made any changes in this section, please be sure to reboot the system for the changes to take effect.



Figure 8-4. Event Logs Tab Screen

▶ Change SMBIOS Event Log Settings

Note: Reboot the system for the changes in this section to take effect.

Enabling/Disabling Options

SMBIOS Event Log

Select Enabled to enable System Management BIOS (SMBIOS) Event Logging during system boot. The options are Disabled and **Enabled**.

Erasing Settings

Erase Event Log (Available when "SMBIOS Event Log" is set to Enabled)

Select No to keep the event log without erasing it upon next system bootup. Select (Yes, Next reset) to erase the event log upon next system reboot. The options are **No**, (Yes, Next reset), and (Yes, Every reset).

When Log is Full (Available when "SMBIOS Event Log" is set to Enabled)

Select Erase Immediately to immediately erase all errors in the SMBIOS event log when the event log is full. Select Do Nothing for the system to do nothing when the SMBIOS event log is full. The options are **Do Nothing** and Erase Immediately.

SMBIOS Event Log Standard Settings

Log System Boot Event (Available when "SMBIOS Event Log" is set to Enabled)

Select Enabled to log system boot events. The options are Enabled and **Disabled**.

MECI (Available when "SMBIOS Event Log" is set to Enabled)

Enter the increment value for the multiple event counter. Enter a number between 1 and 255. The default setting is **1**. (MECI is the abbreviation for Multiple Event Count Increment.)

METW (Available when "SMBIOS Event Log" is set to Enabled)

Use this feature to determine how long (in minutes) should the multiple event counter wait before generating a new event log. Enter a number between 0 and 99. The default value is **60**. (METW is the abbreviation for Multiple Event Count Time Window.)

► View SMBIOS Event Log

Use this feature to view the event in the system event log. Select this feature and press <Enter> to view the status of an event in the log. The following information is displayed: DATE / TIME / ERROR CODE / SEVERITY.

8.6 Security

This menu allows you to configure the following security settings for the system.

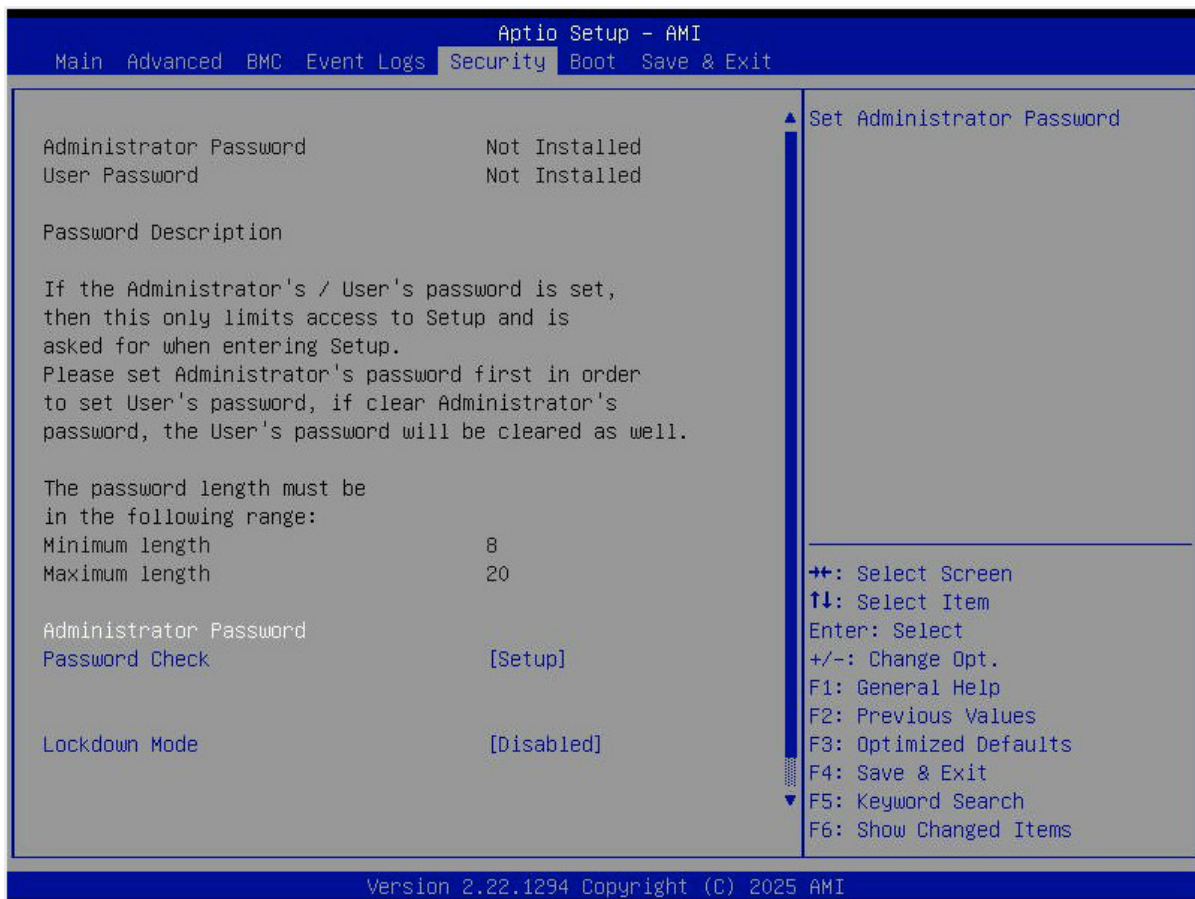


Figure 8-5. Security Tab Screen

Disable Block Sid and Freeze Lock (Available when your storage devices support TCG)

Select Enabled to allow SID authentication to be performed in TCG storage devices. The options are **Disabled** and Enabled.

The following information is displayed:

- Administrator Password
- User Password
- Password Description

Administrator Password

This feature indicates if an administrator password has been installed. Use this feature to set the administrator password, which is required to enter the BIOS Setup utility. The length of the password can be between three and 20 characters long.

User Password (Available when "Administrator Password" has been set)

This feature indicates if a user password has been installed. Use this feature to set the user password which is required to enter the BIOS Setup utility. The length of the password can be between three and 20 characters long.

Password Check

Select Setup for the system to check for a password upon entering the BIOS Setup utility. Select Always for the system to check for the passwords needed at bootup and upon entering the BIOS Setup utility. The options are **Setup** and Always.

Hard Drive Security Frozen

Select Enabled to freeze the Lock Security feature for HDD to protect key data in hard drives from being altered. The options are **Disabled** and Enabled.

► Supermicro Security Erase Configuration

Use this submenu to configure the Supermicro-proprietary Security Erase settings. When this submenu is selected, the following information is displayed. Please note that the order of the following information may differ based on the storage devices being detected.

- **HDD Name:** This feature displays the model name of the storage device that is detected by the BIOS.
- **HDD Serial Number:** This feature displays the serial number of the storage device that is detected by the BIOS.
- **Security Mode:** This feature displays the security mode of the storage device that is detected by the BIOS.
- **Estimated Time:** This feature displays the estimate time needed to perform the selected Security Erase features.
- **HDD User Pwd Status:** This feature indicates if a password has been set as a storage device user password, which enables configuring Supermicro Security Erase settings on this storage device.
- **TCG Device Type:** This feature displays the TCG device type detected by the system.
- **Admin Pwd Status:** This feature indicates if a password has been set as a storage device administrator password, which enables configuring Supermicro Security Erase settings on this storage device.

Note: This submenu is available when any storage device is detected by the BIOS. For more information about this feature, refer to our website.

Security Function

Select Set Password to set a storage device user password to enable configuring the security settings on the storage device. Select Security Erase - Password to enter a storage device user password to enable erasing the password and the contents previously stored in the storage device. Select Security Erase - Without Password to use the manufacturer default password "1111111111" as the storage device user password and enable erasing the contents of the storage device by using this default password. The options are **Disabled**, Set Password, Change Password, Clear Password, Security Erase - Password, Security Erase - PSID, and Security Erase - Without Password.

Notes:

- The option of Security Erase - PSID is based on the storage device support. PSID is the abbreviation for Physical Security Identification.
- The options of Change Password and Clear Password are available when "Password" below has been set.
- The option of Set Password is NOT available when "Password" below has been set.

Password

Disable Sanitize Freeze Lock

If this option is enabled, then sending Sanitize Freeze Lock command to HDDs will be skipped in next boot. The options are **Disabled** and Enabled.

Lockdown Mode (Available when the DCMS key is activated)

Select Enabled to support the Lockdown Mode, which prevents the existing data or keys stored in the system from being altered or changed in an effort to preserve system integrity and security. The options are **Disabled** and Enabled.

HDD Security Configuration

► Secure Boot

The following information is displayed:

- System Mode
- Secure Boot

Note: For detailed instructions on configuring Security Boot settings, refer to the Security Boot Configuration User's Guide at <https://www.supermicro.com/support/manuals>.

8.7 Boot

Use this menu to configure Boot settings.

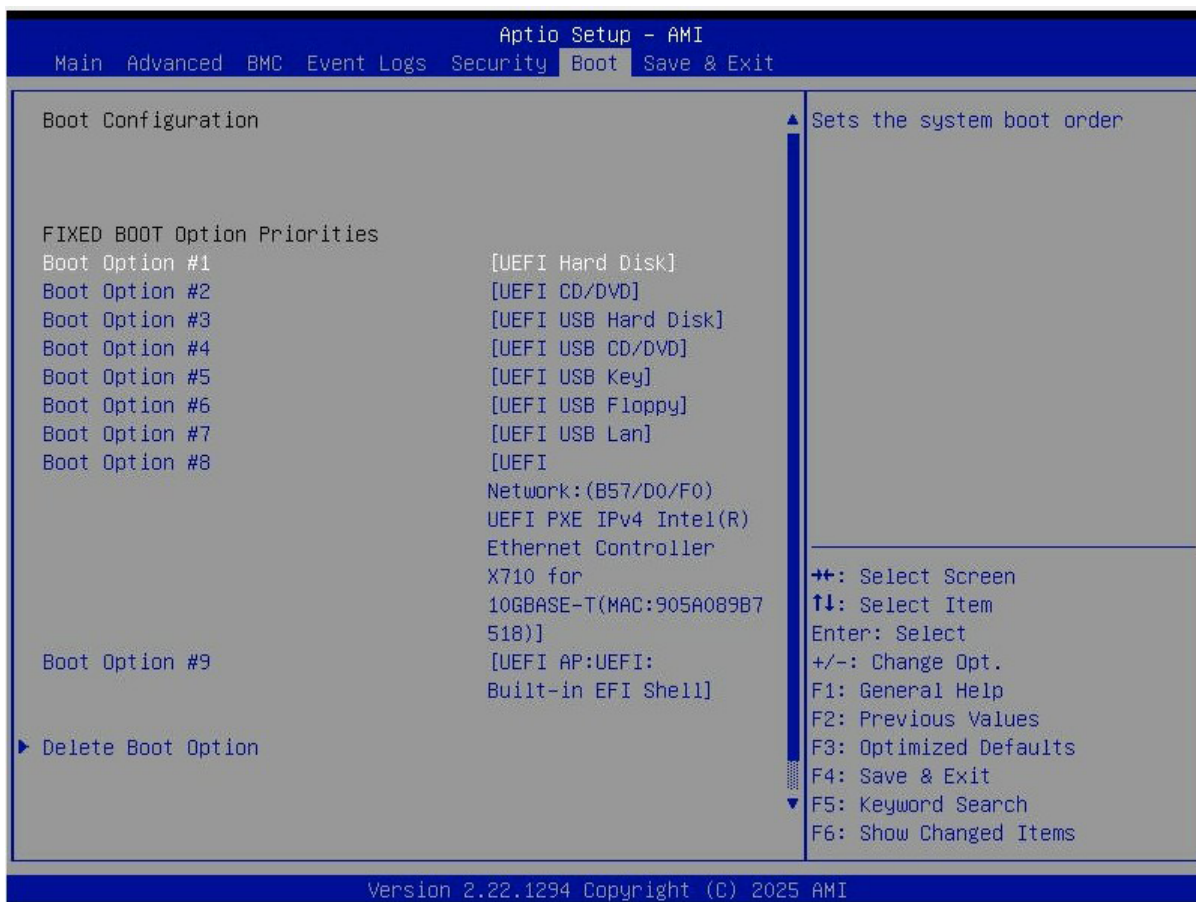


Figure 8-6. Boot Tab Screen

Boot Configuration

Boot Mode Select

Use this feature to choose the system boot mode. The options are Legacy, **UEFI**, and Dual.

FIXED BOOT ORDER Priorities

Use this feature to prioritize the order of a bootable device from which the system will boot. Press <Enter> on each item sequentially to select the device.

- Boot Option #1 – Boot Option #9

▶ Add New Boot Option

Use this feature to add a new boot option to the boot priority features for system boot.

Note: This submenu is available when any storage device is detected by the BIOS.

Add boot option

Use this feature to specify the name for the new boot option.

Path for boot option

Use this feature to enter the path for the new boot option in the format fsx:\path\filename.efi.

Boot option File Path

Use this feature to specify the file path for the new boot option.

Create

After setting the name and the file path for the boot option, press <Enter> to create the new boot option in the boot priority list.

▶ Delete Boot Option

Use this feature to select a boot device to delete from the boot priority list.

Delete Boot Option

Use this feature to remove an EFI boot option from the boot priority list.

▶ UEFI Hard Disk Drive BBS Priorities

Use this feature to set the system boot order of detected devices.

▶ UEFI NETWORK Drive BBS Priorities

Use this feature to set the system boot order of detected devices.

▶ UEFI Application Boot Priorities

Use this feature to set the system boot order of detected devices.

8.8 Save & Exit

Select Save & Exit from the BIOS Setup screen to configure the settings below.

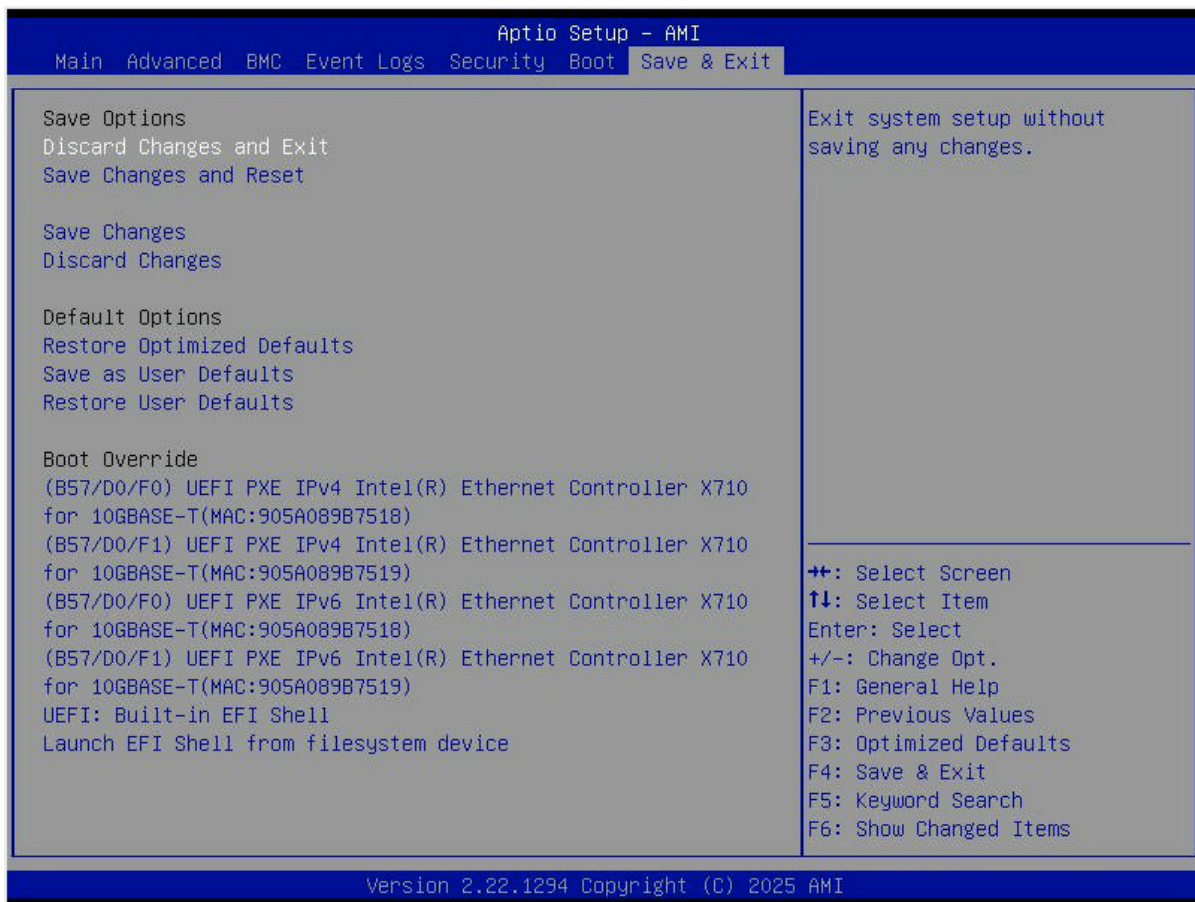


Figure 8-7. Save & Exit Tab

Save Options

Discard Changes and Exit

Use this feature to exit from the BIOS Setup utility without making any permanent changes to the system configuration and reboot the computer.

Save Changes and Reset

On completing the system configuration changes, use this feature to exit the BIOS Setup utility and reboot the computer for the new system configuration parameters to take effect.

Save Changes

On completing the system configuration changes, use this feature to save all changes made. This will not reset (reboot) the system.

Discard Changes

Select this feature and press <Enter> to discard all changes made and return to the BIOS Setup utility.

Default Options**Restore Optimized Defaults**

Select this feature and press <Enter> to load manufacturer optimized default settings, which are intended for maximum system performance but not for maximum stability.

Note: After pressing <Enter>, reboot the system for the changes to take effect, which ensures that this system has the optimized default settings.

Save as User Defaults

Select this feature and press <Enter> to save all changes as the default values specified to the BIOS Setup utility for future use.

Restore User Defaults

Select this feature and press <Enter> to retrieve user-defined default settings that have been saved previously.

Boot Override

Note: Use this section to override the Boot priorities sequence in the Boot menu, and immediately boot the system with a device specified here instead of the one specified in the boot list. This is a one-time boot override.

Appendix A:

BIOS Codes

For information about BIOS codes for the AS -8126GS-NB3RT server, refer to the following content.

BIOS Error POST (Beep) Codes

During the Power-On Self-Test (POST) routines, which are performed each time the system is powered on, errors may occur.

Non-fatal errors are those which, in most cases, allow the system to continue the boot up process. The error messages normally appear on the screen.

Fatal errors are those which will not allow the system to continue the boot up process. If a fatal error occurs, you should consult with your system manufacturer for possible repairs.

These fatal errors are usually communicated through a series of audible beeps that can be heard on an external buzzer connected to JD1. The table shown below lists some common errors and their corresponding beep codes encountered by users.

BIOS Beep (POST) Codes		
Beep Code	Error Message	Description
1 beep	Refresh	Circuits have been reset (Ready to power up)
5 short, 1 long	Memory error	No memory detected in system
5 short, 2 long	Display memory read/write error	Video adapter missing or with faulty memory
1 long continuous	System OH	System overheat condition

Additional BIOS POST Codes

The AMI BIOS supplies additional checkpoint codes, which are documented online at <https://www.supermicro.com/support/manuals> ("AMI BIOS POST Codes User's Guide").

For information on AMI updates, refer to <https://www.ami.com/products>.

Appendix B:

Standardized Warning Statements for AC Systems

The following statements are industry standard warnings, provided to warn the user of situations which have the potential for bodily injury. Should you have questions or experience difficulty, contact Supermicro's Technical Support department for assistance. Only certified technicians should attempt to install or configure components.

Read this section in its entirety before installing or configuring components in the Supermicro AS -8126GS-NB3RT server.

These warnings may also be found on our website at the following page:

https://www.supermicro.com/about/policies/safety_information.cfm

Warning Definition



Warning! This warning symbol means danger. You are in a situation that could cause bodily injury. Before you work on any equipment, be aware of the hazards involved with electrical circuitry and be familiar with standard practices for preventing accidents.

この警告サインは危険を意味します。

人身事故につながる可能性がありますので、いずれの機器でも動作させる前に、電気回路に含まれる危険性に注意して、標準的な事故防止策に精通して下さい。

此警告符号代表危险。

您正处于可能受到严重伤害的工作环境中。在您使用设备开始工作之前、必须充分意识到触电的危险、并熟练掌握防止事故发生的标准工作程序。请根据每项警告结尾的声明号码找到此设备的安全性警告说明的翻译文本。

此警告符號代表危險。

您正處於可能身體可能會受損傷的工作環境中。在您使用任何設備之前、請注意觸電的危險、並且要熟悉預防事故發生的標準工作程序。請依照每一注意事項後的號碼找到相關的翻譯說明內容。

WICHTIGE SICHERHEITSHINWEISE

Dieses Warnsymbol bedeutet Gefahr. Sie befinden sich in einer Situation, die zu Verletzungen führen kann. Machen Sie sich vor der Arbeit mit Geräten mit den Gefahren elektrischer Schaltungen und den üblichen Verfahren zur Vorbeugung vor Unfällen vertraut. Suchen Sie mit der am Ende jeder Warnung angegebenen Anweisungsnummer nach der jeweiligen Übersetzung in den übersetzten Sicherheitshinweisen, die zusammen mit diesem Gerät ausgeliefert wurden.

BEWAHREN SIE DIESE HINWEISE GUT AUF.

INSTRUCCIONES IMPORTANTES DE SEGURIDAD

Este símbolo de aviso indica peligro. Existe riesgo para su integridad física. Antes de manipular cualquier equipo, considere los riesgos de la corriente eléctrica y familiarícese con los procedimientos estándar de prevención de accidentes. Al final de cada advertencia encontrará el número que le ayudará a encontrar el texto traducido en el apartado de traducciones que acompaña a este dispositivo.

GUARDE ESTAS INSTRUCCIONES.

IMPORTANTES INFORMATIONS DE SÉCURITÉ

Ce symbole d'avertissement indique un danger. Vous vous trouvez dans une situation pouvant entraîner des blessures ou des dommages corporels. Avant de travailler sur un équipement, soyez conscient des dangers liés aux circuits électriques et familiarisez-vous avec les procédures couramment utilisées pour éviter les accidents. Pour prendre connaissance des traductions des avertissements figurant dans les consignes de sécurité traduites qui accompagnent cet appareil, référez-vous au numéro de l'instruction situé à la fin de chaque avertissement.

CONSERVEZ CES INFORMATIONS.

תקנון הצהרות אזהרה

הצהרות הבאות הן אזהרות על פי תקני התעשייה, על מנת להזהיר את המשתמש מפני חבלה פיזית אפשרית. במידה ויש שאלות או היתקלות בבעיה כלשהי, יש ליצור קשר עם מחלקת תמיכה טכנית של סופרמיקרו. טכנאים מוסמכים בלבד רשאים להתקין או להגדיר את הרכיבים. יש לקרוא את הנספח במלואו לפני התקנת או הגדרת הרכיבים במארזי סופרמיקרו.

الكافة حالة وكي أي تتسبب ف اصابة جسده هذا الزهز ع خطر! تحذرن.
قبل أي تعول على أي هعدات، كي على علن بالوخاطر ال اجوة عي النوانز
الكهربائ ة

وكي على درا ة بالووارسات النقاء ة لو ع وقع أي حداثث
استخدم رقن الب إى الو صنص ف ها ة كل تحذرن للعنثر تزجوتها

안전을 위한 주의사항

이 경고 기호는 위험이 있음을 알려 줍니다. 작업자의 신체에 부상을 야기 할 수 있는 상태에 있게 됩니다. 모든 장비에 대한 작업을 수행하기 전에 전기회로와 관련된 위험요소들을 확인하시고 사전에 사고를 방지할 수 있도록 표준 작업절차를 준수해 주시기 바랍니다.

해당 번역문을 찾기 위해 각 경고의 마지막 부분에 제공된 경고문 번호를 참조하십시오

BELANGRIJKE VEILIGHEIDSINSTRUCTIES

Dit waarschuwings symbool betekent gevaar. U verkeert in een situatie die lichamelijk letsel kan veroorzaken. Voordat u aan enige apparatuur gaat werken, dient u zich bewust te zijn van de bij een elektrische installatie betrokken risico's en dient u op de hoogte te zijn van de standaard procedures om ongelukken te voorkomen. Gebruik de nummers aan het eind van elke waarschuwing om deze te herleiden naar de desbetreffende locatie.

BEWAAR DEZE INSTRUCTIES

Installation Instructions



Warning! Read the installation instructions before connecting the system to the power source.

警告!

システムを電源に接続する前に、設置手順書をお読み下さい。

警告!

将此系统连接电源前、请先阅读安装说明。

警告!

將系統與電源連接前、請先閱讀安裝說明。

Warnung!

Vor dem Anschließen des Systems an die Stromquelle die Installationsanweisungen lesen.

¡Advertencia!

Lea las instrucciones de instalación antes de conectar el sistema a la red de alimentación.

Attention!

Avant de brancher le système sur la source d'alimentation, consulter les directives d'installation.

אזהרה!

יש לקרוא את הוראות התקנה לפני חיבור המערכת למקור מתח.

تحذير!

اقر إرشادات التركيب قبل توصيل النظام إلى مصدر للطاقة

경고!

시스템을 전원에 연결하기 전에 설치 안내를 읽어주십시오.

Waarschuwing!

Raadpleeg de installatie-instructies voordat u het systeem op de voedingsbron aansluit.

Circuit Breaker



Warning! This product relies on the building's installation for short-circuit (overcurrent) protection. Ensure that the protective device is rated not greater than: 250 V, 20 A.

警告!

この製品は、短絡(過電流)保護装置がある建物での設置を前提としています。
保護装置の定格が250 V、20 Aを超えないことを確認下さい。

警告!

此产品的短路(过载电流)保护由建筑物的供电系统提供，确保短路保护设备的额定电流不大于250 V、20 A。

警告!

此產品的短路(過載電流)保護由建築物的供電系統提供，確保短路保護設備的額定電流不大於250 V、20 A。

Warnung!

Dieses Produkt ist darauf angewiesen, dass im Gebäude ein Kurzschluss bzw. Überstromschutz installiert ist. Stellen Sie sicher, dass der Nennwert der Schutzvorrichtung nicht mehr als: 250 V, 20 A beträgt.

¡Advertencia!

Este equipo utiliza el sistema de protección contra cortocircuitos (o sobrecorrientes) del edificio. Asegúrese de que el dispositivo de protección no sea superior a: 250 V, 20 A.

Attention!

Pour ce qui est de la protection contre les courts-circuits (surtension), ce produit dépend de l'installation électrique du local. Vérifiez que le courant nominal du dispositif de protection n'est pas supérieur à :250 V, 20 A.

אזהרה!

מוצר זה מסתמך על הגנה המותקנת במבנים למניעת קצר חשמלי. יש לוודא כי

המכשיר המגן מפני הקצר החשמלי הוא לא יותר מ-20 A, 250 V

!تحذير

هذا المنتج يعتمد على معدات الحماية من الدوائر القصيرة التي تم تثبيتها في

المبنى

تأكد من أن تقييم الجهاز الوقائي ليس أكثر من : 20 A, 250 V

경고!

이 제품은 전원의 단락(과전류)방지에 대해서 전적으로 건물의 관련 설비에 의존합니다. 보호장치의 정격이 반드시 250 V(볼트), 20 A(암페어)를 초과하지 않도록 해야 합니다.

Waarschuwing!

Dit product is afhankelijk van de kortsluitbeveiliging (overspanning) van uw elektrische installatie. Controleer of het beveiligde apparaat niet groter gedimensioneerd is dan 250 V, 20 A.

Power Disconnection Warning



Warning! The system must be disconnected from all sources of power and the power cord removed from the power supply module(s) before accessing the chassis interior to install or remove system components (except for hot-swap components).

警告!

システムコンポーネントの取り付けまたは取り外しのために、シャーシ内部にアクセスするには、

システムの電源はすべてのソースから切断され、電源コードは電源モジュールから取り外す必要があります。

警告!

在你打开机箱并安装或移除内部器件前，必须将系统完全断电，并移除电源线。

警告!

在您打開機殼安裝或移除內部元件前、必須將系統完全斷電、並移除電源線。

Warnung!

Das System muss von allen Quellen der Energie und vom Netzanschlusskabel getrennt sein, das von den Spg.Versorgungsteilmodulen entfernt wird, bevor es auf den Chassisinnenraum zurückgreift, um Systemsbestandteile anzubringen oder zu entfernen.

¡Advertencia!

El sistema debe ser disconnected de todas las fuentes de energía y del cable eléctrico quitado de los módulos de fuente de alimentación antes de tener acceso el interior del chasis para instalar o para quitar componentes de sistema.

Attention!

Le système doit être débranché de toutes les sources de puissance ainsi que de son cordon d'alimentation secteur avant d'accéder à l'intérieur du chasis pour installer ou enlever des composants de système.

אזהרה!

יש לנתק את המערכת מכל מקורות החשמל ויש להסיר את כבל החשמלי מהספק לפני גישה לחלק הפנימי של המארז לצורך התקנת או הסרת רכיבים.

تحذير!

يجب فصل المنظمو من جميع مصادر انطاقت وإزانت سهك انكهرباء من وحدة امداد انطاقت قيم

انصل إلى انمناطق انداخهيت نههيكم ننتبجج أو إزانت مكننات الجهاز

경고!

시스템에 부품들을 장착하거나 제거하기 위해서는 새시 내부에 접근하기 전에 반드시 전원 공급장치로부터 연결되어있는 모든 전원과 전기코드를 분리해주어야 합니다.

Waarschuwing!

Voordat u toegang neemt tot het binnenwerk van de behuizing voor het installeren of verwijderen van systeem onderdelen, dient u alle spanningsbronnen en alle stroomkabels aangesloten op de voeding(en) van de behuizing te verwijderen

Equipment Installation



Warning! Only authorized personnel and qualified service persons should be allowed to install, replace, or service this equipment.

警告!

トレーニングを受け認定された人だけがこの装置の設置、交換、またはサービスを許可されています。

警告!

只有经过培训且具有资格的人员才能进行此设备的安装、更换和维修。

警告!

只有經過受訓且具資格人員才可安裝、更換與維修此設備。

Warnung!

Nur autorisiertes Personal und qualifizierte Servicetechniker dürfen dieses Gerät installieren, austauschen oder warten.

¡Advertencia!

Sólo el personal autorizado y el personal de servicio calificado deben poder instalar, reemplazar o dar servicio a este equipo.

Attention!

Seul le personnel autorisé et le personnel de maintenance qualifié doivent être autorisés à installer, remplacer ou entretenir cet équipement.

אזהרה!

יש לאפשר רק צוות מורשה ואנשי שירות מוסמכים להתקין, להחליף או לטפל בצידוד זה.

تحذير!

ينبغي السماح فقط للموظفين المعتمدين وأفراد الخدمة المؤهلين بتركيب هذا الجهاز أو استبداله أو صيانته.

경고!

승인된 직원과 자격을 갖춘 서비스 담당자만이 이 장비를 설치, 교체 또는 서비스할 수 있습니다.

Waarschuwing!

Alleen geautoriseerd personeel en gekwalificeerd onderhoudspersoneel mag deze apparatuur installeren, vervangen of onderhouden.

Rack Stability Hazard



Warning! Stability hazard. The rack may tip over causing serious personal injury. Before extending the rack to the installation position, read the installation instructions. Do not put any load on the slide-rail mounted equipment in the installation position. Do not leave the slide-rail mounted equipment in the installation position.

警告!

安定性に危険があります。ラックが転倒して、重大な人身事故を引き起こす可能性があります。ラックを設置位置まで伸ばす前に、設置手順をお読みください。設置位置にあるスライドレールに取り付けられた機器に負荷をかけないでください。スライドレールに取り付けられた機器を設置位置に放置しないでください。

警告!

稳定性危险。机架可能会翻倒、造成严重的人身伤害。在将机架延伸到安装位置之前、请阅读安装说明。请勿在安装位置对滑轨安装的设备施加任何负载。请勿将滑轨安装的设备留在安装位置。

警告!

穩定性危險。機架可能會翻倒、造成嚴重的人身傷害。將機架延伸至安裝位置前、請先閱讀安裝說明。請勿在安裝位置的滑軌安裝設備上放置任何負載。請勿將滑軌安裝設備留在安裝位置。

Warnung!

Gefahr der Instabilität. Das Rack kann umkippen und schwere Verletzungen verursachen. Lesen Sie die Installationsanweisungen, bevor Sie das Rack in die Einbauposition ausfahren. Belasten Sie die auf den Gleitschienen montierten Geräte nicht in der Einbauposition. Lassen Sie die auf den Gleitschienen montierten Geräte nicht in der Einbauposition.

¡Advertencia!

Peligro de inestabilidad. El rack podría volcarse y causar lesiones personales graves. Antes de extender el rack a la posición de instalación, lea las instrucciones de instalación. No coloque ninguna carga sobre el equipo montado sobre rieles deslizantes en la posición de instalación. No deje el equipo montado sobre rieles deslizantes en la posición de instalación.

Attention!

Danger d'instabilité. Le rack peut basculer et provoquer des blessures corporelles graves. Avant d'étendre le rack en position d'installation, lire les instructions d'installation. Ne pas charger l'équipement monté sur rail de glissière en position d'installation. Ne pas laisser l'équipement monté sur rail de glissière en position d'installation.

אזהרה!

סכנת חוסר יציבות

המתלה עלול להתהפך ולגרום לפציעה חמורה

לפני הארכת המתלה למצב ההתקנה, קרא את הוראות ההתקנה

אין להעמיס כל עומס על הצידוד המותקן על מסילת ההחלקה במצב ההתקנה

אל תשאיר את הצידוד המותקן על מסילת ההחלקה במצב ההתקנה

تحذير

خطر عدم الاستقرار.

قد ينقلب الرف مسبباً إصابات جسدية خطيرة.

قبل تمديد الرف إلى موضع التركيب، اقرأ تعليمات التركيب.

لا تضع أي حمولة على الجهاز المثبت على سكة الانزلاق في موضع التركيب.

لا تترك الجهاز المثبت على سكة الانزلاق في موضع التركيب.

경고!

안정성 위험. 랙이 넘어져 심각한 개인 부상을 입을 수 있습니다. 랙을 설치 위치까지 확장하기 전에 설치 지침을 읽으십시오. 설치 위치에서 슬라이드 레일 장착 장비에 하중을 가하지 마십시오. 슬라이드 레일 장착 장비를 설치 위치에 두지 마십시오.

Waarschuwing!

Gevaar voor instabiliteit. Het rek kan kantelen en ernstig persoonlijk letsel veroorzaken. Lees de installatie-instructies voordat u het rek uitschuift naar de installatiepositie. Plaats geen last op de op de glijrail gemonteerde apparatuur in de installatiepositie. Laat de op de glijrail gemonteerde apparatuur niet in de installatiepositie staan.

Restricted Area



Warning! This unit is intended for installation in restricted access areas. A restricted access area can be accessed only through the use of a special tool, lock and key, or other means of security. (This warning does not apply to workstations).

警告!

このユニットは、アクセス制限区域に設置されることを想定しています。

アクセス制限区域は、特別なツール、鍵と錠前、その他のセキュリティの手段を用いてのみ出入りが可能です。

警告!

此部件应安装在限制进出的场所、限制进出的场所指只能通过使用特殊工具、锁和钥匙或其它安全手段进出的场所。

警告!

此裝置僅限安裝於進出管制區域、進出管制區域係指僅能以特殊工具、鎖頭及鑰匙或其他安全方式才能進入的區域。

Warnung!

Diese Einheit ist zur Installation in Bereichen mit beschränktem Zutritt vorgesehen. Der Zutritt zu derartigen Bereichen ist nur mit einem Spezialwerkzeug, Schloss und Schlüssel oder einer sonstigen Sicherheitsvorkehrung möglich.

¡Advertencia!

Esta unidad ha sido diseñada para instalación en áreas de acceso restringido. Sólo puede obtenerse acceso a una de estas áreas mediante la utilización de una herramienta especial, cerradura con llave u otro medio de seguridad.

Attention!

Cet appareil doit être installée dans des zones d'accès réservés. L'accès à une zone d'accès réservé n'est possible qu'en utilisant un outil spécial, un mécanisme de verrouillage et une clé, ou tout autre moyen de sécurité.

אזהרה!

יש להתקין את היחידה באזורים שיש בהם הגבלת גישה. הגישה ניתנת בעזרת כלי אבטחה בלבד (מפתח, מנעול וכד.).

تحذير!

اتخصيص هذه الوحدة نترك بها ف مناطق محظورة تم .
مكن انصل إن منطقت محظورة فقط من خلال استخدام أداة خاصت،
أو أوس هت أخري نلأ مما قفم ومفتاح

경고!

이 장치는 접근이 제한된 구역에 설치하도록 되어있습니다. 특수도구, 잠금 장치 및 키, 또는 기타 보안 수단을 통해서만 접근 제한 구역에 들어갈 수 있습니다.

Waarschuwing!

Dit apparaat is bedoeld voor installatie in gebieden met een beperkte toegang. Toegang tot dergelijke gebieden kunnen alleen verkregen worden door gebruik te maken van speciaal gereedschap, slot en sleutel of andere veiligheidsmaatregelen.

Battery Handling



CAUTION There is risk of explosion if the battery is replaced by an incorrect type. Replace the battery only with the same or equivalent type recommended by the manufacturer. Dispose of used batteries according to the manufacturer's instructions.

警告!

バッテリーを間違ったタイプに交換すると爆発の危険があります。交換する電池はメーカーが推奨する型、または同等のものを使用下さい。使用済電池は製造元の指示に従って処分して下さい。

警告!

如果更换的电池类型不正确。请只使用同类电池或制造商推荐的功能相当的电池更换原有电池。请按制造商的说明处理废旧电池。

警告!

如果更換的電池類型不正確。請使用製造商建議之相同或功能相當的電池更換原有電池。請按照製造商的說明指示處理廢棄舊電池。

WARNUNG!

Es besteht Explosionsgefahr, wenn die Batterie durch einen falschen Typ ersetzt wird. Ersetzen Sie die Batterie nur durch den gleichen oder vom Hersteller empfohlenen Batterietyp. Entsorgen Sie die benutzten Batterien nach den Anweisungen des Herstellers.

¡ADVERTENCIA!

Existe riesgo de explosión si la batería se reemplaza por un tipo incorrecto. Reemplazar la batería exclusivamente con el mismo tipo o el equivalente recomendado por el fabricante. Desechar las baterías gastadas según las instrucciones del fabricante.

ATTENTION!

Il existe un risque d'explosion si la batterie est remplacée par un type incorrect. Ne la remplacer que par une pile de type semblable ou équivalent, recommandée par le fabricant. Jeter les piles usagées conformément aux instructions du fabricant.

אזהרה!

קיימת סכנת פיצוץ אם הסוללה תוחלף בסוג שגוי. יש להחליף את הסוללה בסוג התואם מחברת יצרן מומלצת. סילוק הסוללות המשומשות יש לבצע לפי הוראות היצרן.

!تحذير

هناك خطر الانفجار إذا تم استبدال البطارية بنوع غير صحيح. استبدال البطارية فقط بنفس النوع أو ما يعادلها مما أوصت به الشركة المصنعة. جُلِّص من البطاريات المسحمة وفقاً لتعليمات الشركة الصانعة.

경고!

배터리를 잘못된 종류로 교체하면 폭발의 위험이 있습니다. 기존 배터리와 동일하거나 제조사에서 권장하는 동등한 종류의 배터리로만 교체해야 합니다. 제조사의 안내에 따라 사용된 배터리를 처리하여 주십시오.

WAARSCHUWING!

Er bestaat explosiegevaar als de batterij wordt vervangen door een verkeerd type. Vervang de batterij slechts met hetzelfde of een equivalent type die door de fabrikant aanbevolen wordt. Gebruikte batterijen dienen overeenkomstig fabrieksvoorschriften afgevoerd te worden.

Redundant Power Supplies

Warning! This unit might have more than one power supply connection. All connections must be removed to de-energize the unit.

警告!

このユニットは複数の電源装置が接続されている場合があります。
ユニットの電源を切るためには、すべての接続を取り外さなければなりません。

警告!

此部件连接的电源可能不止一个、必须将所有电源断开才能停止给该部件供电。

警告!

此装置连接的电源可能不只一个、必须切断所有电源才能停止对该装置的供电。

Warnung!

Dieses Gerät kann mehr als eine Stromzufuhr haben. Um sicherzustellen, dass der Einheit kein Strom zugeführt wird, müssen alle Verbindungen entfernt werden.

¡Advertencia!

Puede que esta unidad tenga más de una conexión para fuentes de alimentación. Para cortar por completo el suministro de energía, deben desconectarse todas las conexiones.

Attention!

Cette unité peut avoir plus d'une connexion d'alimentation. Pour supprimer toute tension et tout courant électrique de l'unité, toutes les connexions d'alimentation doivent être débranchées.

אזהרה!

ליחידה יש יותר מחיבור אחד של ספק. יש להסיר את כל החיבורים על מנת לרוקן את היחידה.

تحذير!

قد يكون لهذا الجهاز عدة اتصالات بوحدات امداد الطاقة .
يجب إزالة كافة الاتصالات لعزل الوحدة عن الكهرباء

경고!

이 장치에는 한 개 이상의 전원 공급 단자가 연결되어 있을 수 있습니다. 이 장치에 전원을 차단하기 위해서는 모든 연결 단자를 제거해야만 합니다.

Waarschuwing!

Deze eenheid kan meer dan één stroomtoevoeraansluiting bevatten. Alle aansluitingen dienen verwijderd te worden om het apparaat stroomloos te maken.

Backplane Voltage



Warning! Hazardous voltage or energy is present on the backplane when the system is operating. Use caution when servicing.

警告!

システムの稼働中は危険な電圧または電力が、バックプレーン上にかかっています。

修理する際には注意ください。

警告!

当系统正在进行时、背板上有很危险的电压或能量、进行维修时务必小心。

警告!

當系統正在進行時、背板上有很危險的電壓或能量、進行維修時務必小心。

Warnung!

Wenn das System in Betrieb ist, treten auf der Rückwandplatine gefährliche Spannungen oder Energien auf. Vorsicht bei der Wartung.

¡Advertencia!

Cuando el sistema está en funcionamiento, el voltaje del plano trasero es peligroso. Tenga cuidado cuando lo revise.

Attention!

Lorsque le système est en fonctionnement, des tensions électriques circulent sur le fond de panier. Prendre des précautions lors de la maintenance.

אזהרה!

קיימת סכנת מתח בפנל האחורי בזמן תפעול המערכת. יש להיזהר במהלך העבודה.

تحذير!

هناك خطر من التيار الكهربائي أو الطاقة المخزنة على اللوحة عندما يكون النظام يعمل كه حذرا عند خدمة هذا الجهاز

경고!

시스템이 동작 중일 때 후면판 (Backplane)에는 위험한 전압이나 에너지가 발생 합니다. 서비스 작업 시 주의하십시오.

Waarschuwing!

Een gevaarlijke spanning of energie is aanwezig op de backplane wanneer het systeem in gebruik is. Voorzichtigheid is geboden tijdens het onderhoud.

Comply with Local and National Electrical Codes



Warning! Installation of the equipment must comply with local and national electrical codes.

警告!

機器の取り付けはその地方および国の電気規格に準拠する必要があります。

警告!

设备安装必须符合本地与本国电气法规。

警告!

設備安裝必須符合本地與本國電氣法規。

Warnung!

Die Installation der Geräte muss den Sicherheitsstandards entsprechen.

¡Advertencia!

La instalacion del equipo debe cumplir con las normas de electricidad locales y nacionales.

Attention!

L'équipement doit être installé conformément aux normes électriques nationales et locales.

אזהרה!

התקנת הציוד חייבת להיות תואמת לחוקי החשמל המקומיים והארציים.

تحذير!

تركيب المعدات الكهربائية يجب أن يمتثل للقوانين المحلية والنظمية المتعلقة

بالكهرباء

경고!

현 지역 및 국가의 전기 규정에 따라 장비를 설치해야 합니다.

Waarschuwing!

Bij installatie van de apparatuur moet worden voldaan aan de lokale en nationale elektriciteitsvoorschriften.

Product Disposal



Warning! Ultimate disposal of this product should be handled according to all national laws and regulations.

警告!

この製品を廃棄処分する場合、国の関係する全ての法律・条例に従い処理する必要があります。

警告!

本产品的废弃处理应根据所有国家的法律和规章进行。

警告!

本產品的廢棄處理應根據所有國家的法律和規章進行。

Warnung!

Die Entsorgung dieses Produkts sollte gemäß allen Bestimmungen und Gesetzen des Landes erfolgen.

¡Advertencia!

Al deshacerse por completo de este producto debe seguir todas las leyes y reglamentos nacionales.

Attention!

La mise au rebut ou le recyclage de ce produit sont généralement soumis à des lois et/ou directives de respect de l'environnement. Renseignez-vous auprès de l'organisme compétent.

אזהרה!

סילוק סופי של מוצר זה חייב להיות בהתאם להנחיות וחוקי המדינה.

تحذير!

عند التخلص النهائي من هذا المنتج ينبغي التعامل معه وفقا لجميع القوانين واللوائح الوطنية

경고!

이 제품은 해당 국가의 관련 법규 및 규정에 따라 폐기되어야 합니다.

Waarschuwing!

De uiteindelijke verwijdering van dit product dient te geschieden in overeenstemming met alle nationale wetten en reglementen.

Fan Warning



Warning! Hazardous moving parts. Keep away from moving fan blades. The fans might still be turning when you remove the fan assembly from the chassis. Keep fingers, screwdrivers, and other objects away from the openings in the fan assembly's housing



警告!

警告！回轉部品に注意。運転中は回轉部(羽根)に触れないでください。シャーシから冷却ファン装置を取り外した際、ファンがまだ回轉している可能性があります。ファンの開口部に、指、ドライバー、およびその他のものを近づけないで下さい。

警告!

警告！危險的可移動性零件。請務必與轉動的风扇叶片保持距离。当您从机架移除风扇装置，风扇可能仍在转动。小心不要将手指、螺丝起子和其他物品太靠近风扇

警告!

危險的可移動性零件。請務必與轉動的風扇葉片保持距離。當您從機架移除風扇裝置，風扇可能仍在轉動。小心不要將手指、螺絲起子和其他物品太靠近風扇。

Warnung!

Gefährlich Bewegende Teile. Von den bewegenden Lüfterblätter fern halten. Die Lüfter drehen sich u. U. noch, wenn die Lüfterbaugruppe aus dem Chassis genommen wird. Halten Sie Finger, Schraubendreher und andere Gegenstände von den Öffnungen des Lüftergehäuses entfernt.

¡Advertencia!

Riesgo de piezas móviles. Mantener alejado de las aspas del ventilador. Los ventiladores podran dar vuelta cuando usted quite el montaje del ventilador del chasis. Mantenga los dedos, los destornilladores y todos los objetos lejos de las aberturas del ventilador.

Attention!

Pieces mobiles dangereuses. Se tenir a l'écart des lames du ventilateur Il est possible que les ventilateurs soient toujours en rotation lorsque vous retirerez le bloc ventilateur du châssis. Prenez garde à ce que doigts, tournevis et autres objets soient éloignés du logement du bloc ventilateur.

אזהרה!

חלקים נעים מסוכנים. התרחק מלהבי המאוורר בפעולהכאשר מסירים את חלקי המאוורר מהמארז, יתכן והמאווררים עדיין עובדים. יש להרחיק למרחק בטוח את האצבעות וכלי עבודה שונים מהפתחים בתוך המאוורר

تحذير!

تحذير! أجزاء متحركة خطيرة. ابتعد عن شفرات المروحة المتحركة. من الممكن أن المراوح لا تزال تدور عند إزالة كتلة المروحة من الهيكل يجب إبقاء الأصابع ومفكات البراغي وغيرها من الأشياء بعيدا عن الفتحات في كتلة المروحة.

경고!

움직이는 위험한 부품. 회전하는 송풍 날개에 접근하지 마세요. 새시로부터 팬 조립품을 제거할 때 팬은 여전히 회전하고 있을 수 있습니다. 팬 조립품 외관의 열려있는 부분들로부터 손가락 및 스크류드라이버, 다른 물체들이 가까이 하지 않도록 배치해 주십시오.

Waarschuwing!

Gevaarlijk bewegende onderdelen. Houd voldoende afstand tot de bewegende ventilatorbladen. Het is mogelijk dat de ventilator nog draait tijdens het verwijderen van het ventilatorsamenstel uit het chassis. Houd uw vingers, schroevendraaiers en eventuele andere voorwerpen uit de buurt van de openingen in de ventilatorbehuizing.

Power Cable and AC Adapter



Warning! When installing the product, use the provided or designated connection cables, power cables and AC adapters. Using any other cables and adapters could cause a malfunction or a fire. Electrical Appliance and Material Safety Law prohibits the use of UL or CSA -certified cables (that have UL/CSA shown on the cord) for any other electrical devices than products designated by Supermicro only.

警告!

製品を設置する場合、提供または指定および購入された接続ケーブル、電源コードとACアダプターを該当する地域の条例や安全基準に適合するコードサイズやプラグと共に使用下さい。他のケーブルやアダプタを使用すると故障や火災の原因になることがあります。電気用品安全法は、ULまたはCSA認定のケーブル(UL/CSAマークがコードに表記)をSupermicroが指定する製品以外に使用することを禁止しています。

警告!

安装此产品时、请使用本身提供的或指定的或采购的连接线、电源线和电源适配器、包含遵照当地法规和安全要求的合规的电源线尺寸和插头。使用其它线材或适配器可能会引起故障或火灾。除了Supermicro所指定的产品、电气用品和材料安全法律规定禁止使用未经UL或CSA认证的线材。(线材上会显示UL/CSA符号)。

警告!

安装此產品時、請使用本身提供的或指定的或採購的連接線、電源線和電源適配器、包含遵照當地法規和安全要求的合規的電源線尺寸和插頭。使用其它線材或適配器可能會引起故障或火災。除了Supermicro所指定的產品、電氣用品和材料安全法律規定禁止使用未經UL或CSA認證的線材。(線材上會顯示UL/CSA符號)。

Warnung!

Nutzen Sie beim Installieren des Produkts ausschließlich die von uns zur Verfügung gestellten Verbindungskabeln, Stromkabeln und/oder Adapter, die Ihre örtlichen Sicherheitsstandards einhalten. Der Gebrauch von anderen Kabeln und Adapter können Fehlfunktionen oder Feuer verursachen. Die Richtlinien untersagen das Nutzen von UL oder CAS zertifizierten Kabeln (mit UL/CSA gekennzeichnet), an Geräten oder Produkten die nicht mit Supermicro gekennzeichnet sind.

¡Advertencia!

Cuando instale el producto, utilice la conexión provista o designada o procure cables, Cables de alimentación y adaptadores de CA que cumplan con los códigos locales y los requisitos de seguridad, incluyendo el tamaño adecuado del cable y el enchufe. El uso de otros cables y adaptadores podría causar un mal funcionamiento o un incendio. La Ley de Seguridad de Aparatos Eléctricos y de Materiales prohíbe El uso de cables certificados por UL o CSA (que tienen el certificado UL / CSA en el código) para cualquier otros dispositivos eléctricos que los productos designados únicamente por Supermicro.

Attention!

Lors de l'installation du produit, utilisez les cables de connection fournis ou désigné ou achetez des cables, cables de puissance et adaptateurs respectant les normes locales et les conditions de securite y compris les tailles de cables et les prises electriques appropries. L'utilisation d'autres cables et adaptateurs peut provoquer un dysfonctionnement ou un incendie. Appareils électroménagers et la Loi sur la Sécurité Matériel interdit l'utilisation de câbles certifiés- UL ou CSA (qui ont UL ou CSA indiqué sur le code) pour tous les autres appareils électriques sauf les produits désignés par Supermicro seulement.

אזהרה!

קרובל ומאתוה וא ושכרנ רשא AC מימאתמו מיקפס, מילבכב שמתשהל שי, רצומה תא מיניקתמ רשאכ לכב שומיש . עקתהו לבכה לש הנוכנ הדימ ללוכ, תוימוקמה תוחיטבה תושירדל ומאתוה רשאו, הנקתהה למשחה ירישכמב שומישה יקוחל אתהב. ילמשח רצק וא הלקתל מורגל לולע, רחא גוסמ אתמ וא לבכ לש דוק מהילע עיפומ רשאכ) -CSA ב וא UL - ב מיכסומה מילבכב שמתשהל רוסיא מייק, תוחיטבה יקוחו דבלב Supermicro י"ע אתוה רשא רצומב קר אלא, רחא ילמשח רצומ לכ רובע (UL/CSA).

!تحذير

تالباكلا ءارشب مق وأ ءدحمللا وأ ءرفوتلا تاليصوتلا مادختساب مق ،جتتملا بيكرت دنع
 كاذ يف امب ءيلحملا ءمالسلا تابلطتمو نيناوقب ماز تلالا عم ددرتملا رايتلا تالوحمو ءيناير هكلا
 فيرح وأ لطم يف ببستي دق برخأ تالوحمو تالباك يا مادختسا .ميلسلا سباقلاو لصوملا مجح.
 CSA وأ UL لبق نم ءدمتعملا تالباكلا مادختسا تادعملو ءيناير هكلا ءز هجالل ءمالسلا نوناق رظحي
 Supermicro لبق نم ءدحمللا ءينعملا تاجتتملا ريغ برخأ تادعم يا عم (UL/CSA) ءمالع لمحت يتلاو.

경고!

제품을 설치할 때 현지 코드 및 적절한 굵기의 코드와 플러그를 포함한 안전 요구 사항을 준수하여 제공되거나 지정된 연결 혹은 구매 케이블, 전원 케이블 및 AC 어댑터를 사용하십시오.

다른 케이블이나 어댑터를 사용하면 오작동이나 화재가 발생할 수 있습니다. 전기 용품 안전법은 UL 또는 CSA 인증 케이블 (코드에 UL / CSA가 표시된 케이블)을 Supermicro 가 지정한 제품 이외의 전기 장치에 사용하는 것을 금지합니다.

Waarschuwing!

Bij het aansluiten van het Product uitsluitend gebruik maken van de geleverde Kabels of een andere geschikte aan te schaffen Aansluitmethode, deze moet altijd voldoen aan de lokale voorschriften en veiligheidsnormen, inclusief de juiste kabeldikte en stekker. Het gebruik van niet geschikte Kabels en/of Adapters kan een storing of brand veroorzaken. Wetgeving voor Elektrische apparatuur en Materiaalveiligheid verbied het gebruik van UL of CSA - gecertificeerde Kabels (met UL/CSA in de code) voor elke andere toepassing dan de door Supermicro hiervoor beoogde Producten.

Appendix C:

System Specifications

Processors

Dual AMD EPYC™ 9005/9004 Series Processors in SP5 sockets

BIOS

ACPI 6.5, SMBIOS 3.7 or later, Plug-and-Play (PnP), RTC (Real Time Clock) wakeup

Memory

- Up to 6 TB registered ECC DDR5 at 6400 MT/s in 24 DIMM slots (AMD EPYC™ 9005 Series Processor)
- Up to 6 TB registered ECC DDR5 at 4800 MT/s in 24 DIMM slots (AMD EPYC™ 9004 Series Processor)

Note: Memory speed support depends on the processor used in the system.

Storage Drives

Eight front hot-swappable EDSFF E1.S NVMe drives

Two hot-swappable M.2 serviceable NVMe slots (M-key, 22110)

PCI Expansion Slots

Two PCIe 5.0 x16 FHHL slots for BF3

Eight PCIe 5.0 x4 for NVMe ESDFF, two NVMe M.2 slots with RAID support

Input/Output

One RJ45 Dedicated IPMI LAN port

Two 10 GbE RJ45 with Intel X710

One mini-DP + two USB 3.0

One VGA port

Front control board

Motherboard

H14DSG-OM, 17" x 15.96" (431.80 mm x 405.40 mm)

Chassis

CSE-GP807TS-R000NP, 13.8" x 17.6" x 37.4", 356 x 449 x 950 mm (H x W x D)

System Cooling

12 heavy-duty fans with optimal fan speed control

Four motherboard internal fans

Security

Trusted Platform Module (TPM) 2.0

Silicon Root of Trust (RoT) – NIST 800-193 Compliant

Power Supply

Model: PWS-5K26G-2R, 6600 W redundant module, Titanium Level (96%)

AC Input Voltages: 100-240 VAC

Rated Input Current:

5900 W: 200-207.9 Vac / 50-60 Hz

6000 W: 208-219.9 Vac / 50-60 Hz

6300 W: 220-229.9 Vac / 50-60 Hz

6500 W: 230-238.9 Vac / 50-60 Hz

6600 W: 239-240 Vac / 50-60 Hz

+12V:

Max: 130 A / Min: 0 A (200 Vac-207.9 Vac)

Max: 130 A / Min: 0 A (208 Vac-219.9 Vac)

Max: 130 A / Min: 0 A (220 Vac-229.9 Vac)

Max: 130 A / Min: 0 A (230 Vac-238.9 Vac)

Max: 130 A / Min: 0 A (239 Vac-240 Vac)

Standby +12 VSB: Max: 4 A / Min: 0 A

Operating Environment

Operating Temperature: 10° to 35° C (50° to 95° F)

Non-operating Temperature: -40° to 60° C (-40° to 140° F)

Operating Relative Humidity: 8% to 90% (non-condensing)

Non-operating Relative Humidity: 5% to 95% (non-condensing)

Regulatory Compliance

FCC, ICES, CE, UKCA, VCCI, RCM, NRTL, CB

Applied Directives, Standards**Directives:**

EMC/EMI: 2014/30/EU (EMC Directive)
Electromagnetic Compatibility Regulations 2016
FCC Part 15 Subpart B
ICES-003
VCCI-CISPR 32
AS/NZS CISPR 32
CISPR 32
CISPR 35
BS/EN 55032
BS/EN 55035
BS/EN 61000-3-2
BS/EN 61000-3-3
BS/EN 61000-4-2
BS/EN 61000-4-3
BS/EN 61000-4-4
BS/EN 61000-4-5
BS/EN 61000-4-6
BS/EN 61000-4-8
BS/EN 61000-4-11

Environment:

Delegated Directive (EU) 2015/863
Directive 2011/65/EU (RoHS)
REACH Regulation EC 1907/2006
WEEE Directive 2012/19/EU
California Proposition 65

Product Safety:

2014/35/EU (LVD Directive)
UL/CSA 62368-1 (USA and Canada)
Electrical Equipment (Safety) Regulations 2016
IEC/BS/EN 62368-1

Perchlorate Warning

California Best Management Practices Regulations for Perchlorate Materials: This Perchlorate warning applies only to products containing CR (Manganese Dioxide) Lithium coin cells. Perchlorate Material-special handling may apply. See

<https://www.dtsc.ca.gov/hazardouswaste/perchlorate>

Appendix D:

General Data Center Environmental Specifications

Particulate Contamination Specifications

Air filtration: Data centers must be kept clean to Class 8 of ISO 14644-1 (ISO 2015). The air entering the data center should be filtered with a MERV 11 filter or better. The air within the data center should be continuously filtered with a MERV 8 filter or better.

Conductive dust: Air should be free of conductive dust, zinc whiskers, or other conductive particles.

Corrosive dust: Air should be free of corrosive dust.

Gaseous Contamination Specifications

Copper coupon corrosion rate: <300 Å/month per class G1 as defined by ANSI.ISA71.04-2013, reference by ASHRAE TC 9.9

Silver coupon corrosion rate: <200 Å/month per class G1 as defined by ANSI.ISA71.04-2013, reference by ASHRAE TC 9.9

Note: If testing with silver or copper coupons results in values less than 200 Å/month or 300 Å/month, respectively, then operating up to 70% relative humidity (RH) is acceptable. If the testing shows corrosion levels exceed these limits, then catalyst type pollutants are probably present and RH should be driven to 50% or lower.